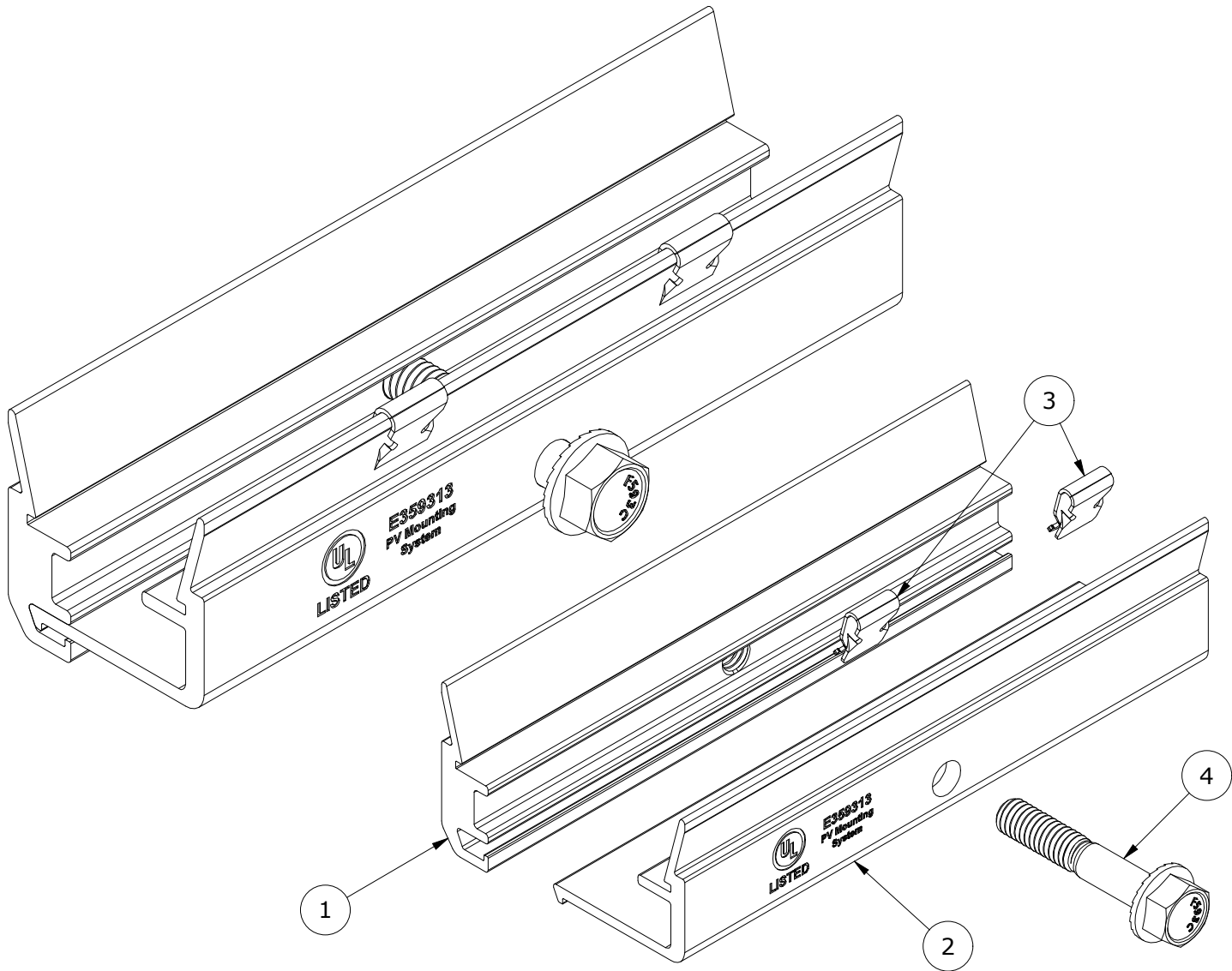


DESCRIPTION: SNAPNRACK, TDS, UR-40 SPLICE		DOC NUMBER: SNR-DC-01382	<h1>SnapNrack®</h1>
PART NUMBER(S): 242-01213		DRAWN BY: H.WULFEKOETTER	
UNITS: IN, LB, DEG [MM, KG, DEG]	SHEET: 1:2	REV: B	DATE: 1/24/2023
<p style="text-align: right;">SUNRUN INSTALLATION SERVICES INC. 225 BUSH STREET, SUITE 1400 • SAN FRANCISCO, CA 94104 USA PHONE (877) 732-2860 • CONTACT@SNAPNRACK.COM</p> <p style="text-align: right; font-size: small;">THE INFORMATION IN THIS DRAWING IS CONFIDENTIAL AND PROPRIETARY. ANY REPRODUCTION, DISCLOSURE, OR USE THEREOF IS PROHIBITED WITHOUT THE WRITTEN CONSENT OF SUNRUN SOUTH LLC.</p>			



PARTS LIST		
ITEM	QTY	DESCRIPTION
1	1	SNAPNRACK, UR-40 SPLICE TAPPED PRC, CLEAR / BLACK
2	1	SNAPNRACK, UR-40 SPLICE THRU PRC, CLEAR / BLACK
3	2	SNAPNRACK, SNAPLINK BONDING CLIP, TYPE 2, STEEL
4	1	BOLT, FLANGE, SERRATED, 5/16IN-18 X 1-3/4IN, SS

MATERIALS:	6000 SERIES ALUMINUM, STAINLESS STEEL
DESIGN LOAD (LBS):	N/A
ULTIMATE LOAD (LBS):	N/A
TORQUE SPECIFICATION:	12 FT-LBS
CERTIFICATION:	UL 2703, FILE E359313
WEIGHT (LBS):	0.52

DESCRIPTION:
SNAPNRACK, TDS, UR-40 SPLICE

DOC NUMBER:
SNR-DC-01382

SnapNrack®

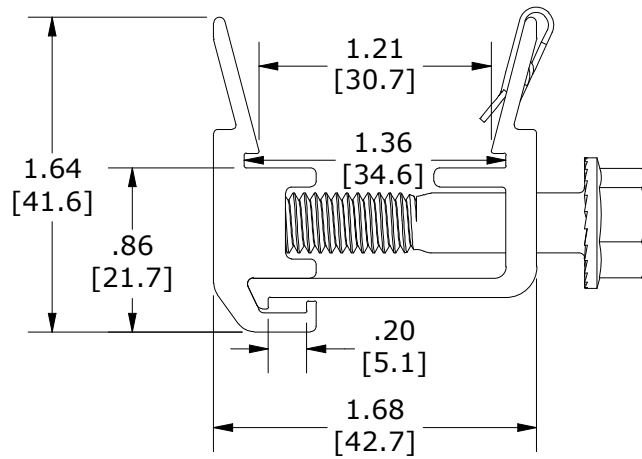
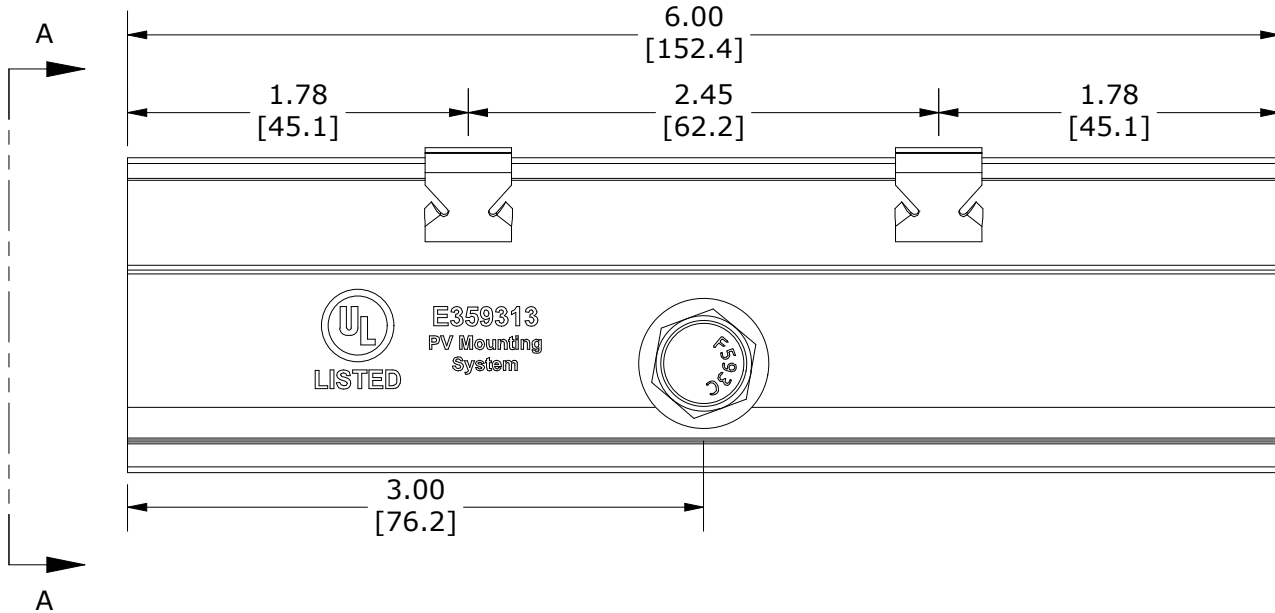
PART NUMBER(S):
242-01213

DRAWN BY:
H.WULFEKOETTER

REV: **B** DATE:
1/24/2023

SUNRUN INSTALLATION SERVICES INC.
225 BUSH STREET, SUITE 1400 • SAN FRANCISCO, CA 94104 USA
PHONE (877) 732-2860 • CONTACT@SNAPNRACK.COM
THE INFORMATION IN THIS DRAWING IS CONFIDENTIAL AND PROPRIETARY. ANY
REPRODUCTION, DISCLOSURE, OR USE THEREOF IS PROHIBITED WITHOUT THE
WRITTEN CONSENT OF SUNRUN SOUTH LLC.

UNITS: IN, LB, DEG [MM, KG, DEG] SHEET: 2:2



VIEW A-A
SCALE 1 : 1