

DESCRIPTION:

SNAPNRACK, ULTRA RAIL COMP KIT

DRAWN BY:

mwatkins

REVISION:

A

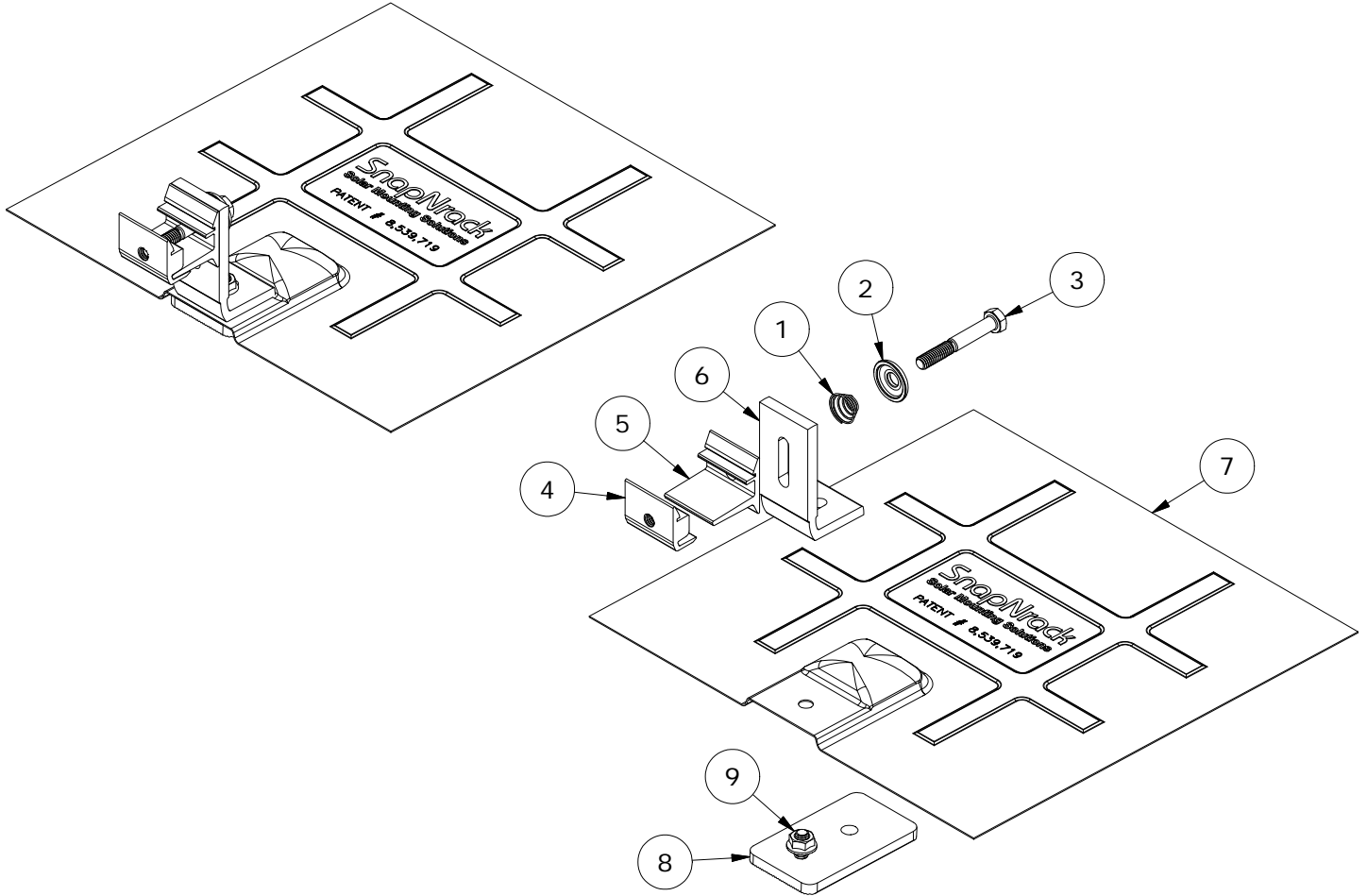
**SnapNrack™**  
Solar Mounting Solutions

PART NUMBER(S):

242-01235, 242-01236

595 MARKET STREET, 29TH FLOOR • SAN FRANCISCO, CA 94105 USA  
PHONE (415) 580-6900 • FAX (415) 580-6902

THE INFORMATION IN THIS DRAWING IS CONFIDENTIAL AND PROPRIETARY. ANY REPRODUCTION, DISCLOSURE, OR USE THEREOF IS PROHIBITED WITHOUT THE WRITTEN CONSENT OF SUNRUN SOUTH LLC.



PARTS LIST

ITEM	QTY	DESCRIPTION
1	1	SNAPNRACK, ULTRA RAIL MOUNT SPRING, SS
2	1	SNAPNRACK, ULTRA RAIL MOUNT SPRING CAGE, 6061-T6 AL
3	1	BOLT, HCS, 5/16IN-18 X 2-1/4IN, SS
4	1	SNAPNRACK, ULTRA RAIL MOUNT TAPPED PRC, SILVER / BLACK
5	1	SNAPNRACK, ULTRA RAIL MOUNT THRU PRC, SILVER / BLACK
6	1	SNAPNRACK, COMPOSITION L FOOT PRC (92DEG), SILVER / BLACK
7	1	SNAPNRACK, L FOOT FLASHING, 12IN X 12IN, SILVER ALUM / BLACK GALV
8	1	SNAPNRACK, L FOOT BASE, MILL
9	1	NUT, FLANGE, SERRATED, 5/16IN-18, BLACK, SS

MATERIALS:

6000 SERIES ALUMINUM, STAINLESS STEEL

OPTIONS:

DESIGN LOAD (LBS):

309 UP, 1469 DOWN, 251 SIDE

CLEAR / BLACK ANODIZED

ULTIMATE LOAD (LBS):

928 UP, 4406 DOWN, 754 SIDE

GALV STEEL / ALUM FLASHING

TORQUE SPECIFICATION:

12 LB-FT

CERTIFICATION:

UL 2703, FILE E359313

WEIGHT (LBS):

1.00 - 1.33

DESCRIPTION:

**SNAPNRACK, ULTRA RAIL COMP KIT**

PART NUMBER(S):

242-01235, 242-01236

DRAWN BY:

mwatkins

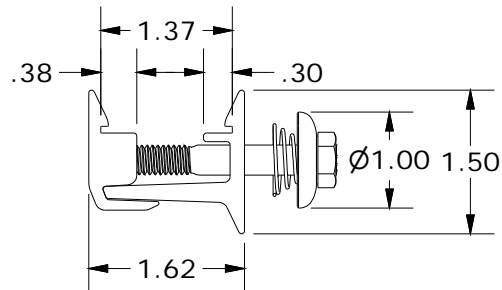
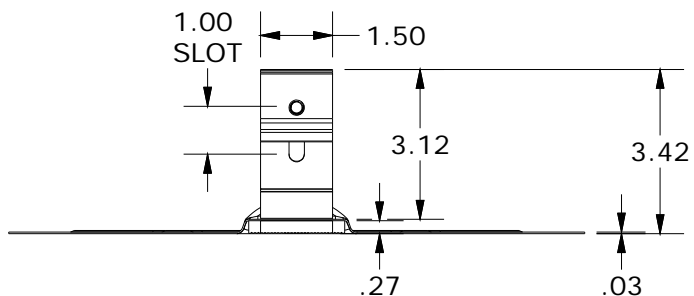
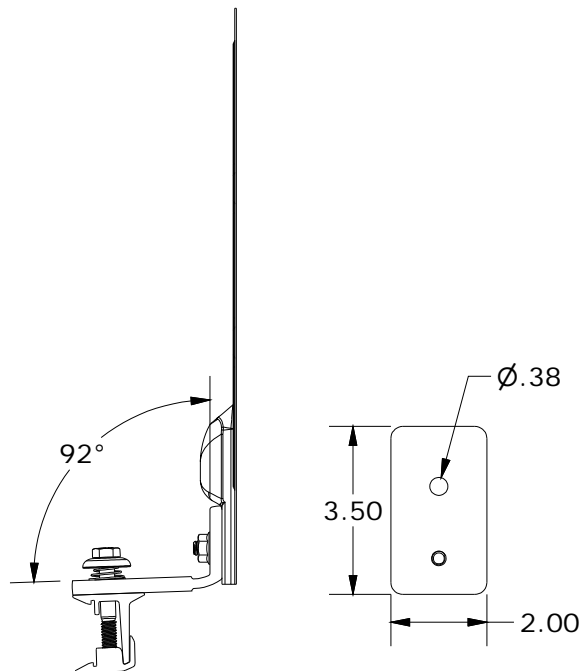
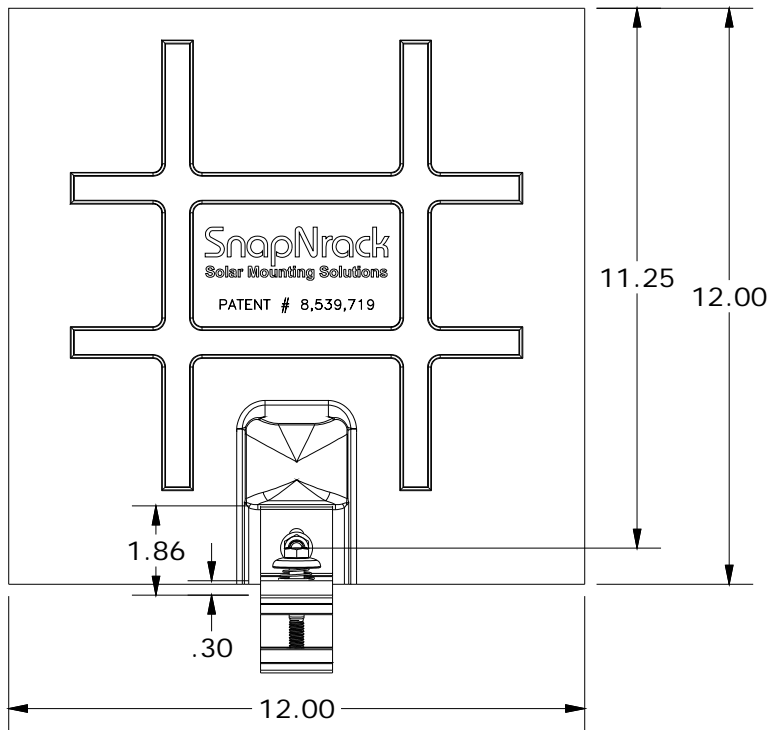
REVISION:

**A**

**SnapNrack™**  
Solar Mounting Solutions

595 MARKET STREET, 29TH FLOOR • SAN FRANCISCO, CA 94105 USA  
PHONE (415) 580-6900 • FAX (415) 580-6902

THE INFORMATION IN THIS DRAWING IS CONFIDENTIAL AND PROPRIETARY. ANY REPRODUCTION, DISCLOSURE, OR USE THEREOF IS PROHIBITED WITHOUT THE WRITTEN CONSENT OF SUNRUN SOUTH LLC.



ULTRA COMP KIT PROPERTIES		
SKU	FLASHING MATERIAL	L FOOT FINISH
242-01235	SILVER ALUMINUM	SILVER
242-01236	BLACK GALV STEEL	BLACK

ALL DIMENSIONS IN INCHES