



ROCKIT[®]

COMPLETE RAIL-LESS RACKING SYSTEM

The RockIt system is the industry's premier rail-less PV racking system for composition shingle, tile, and metal roofs. Designed in conjunction with the needs of installers, RockIt quickly & easily installs with a single tool. Featuring an easy-to-position alignment slide and a top-down leveling system, RockIt is logistically intelligent with no need to ship or transport long rails. Components are available in a black finish that complements both commercial and residential applications. Conforms to UL 2703.

FEATURES & BENEFITS

- Patented watertight technology
- Fully integrated bonding
- Top-down leveling system
- North-South adjustability
- Single tool install
- Florida Product Approved for composition shingle roofs

STREAMLINED INSTALLATION WITH MINIMAL ROOF PENETRATIONS

	<p>Composition Shingle, Tile, Metal</p>
	<p>Rail-Less</p>
	<p>Structural-Attach Direct-Attach</p>



ROCKIT COUPLING

The fast installing RockIt Coupling easily attaches to the module frame to bridge the gaps between modules.

SKIRT

The sleek black Skirt installs first and acts as an alignment guide for the entire array. The Skirt End Cap does double duty as a skirt coupling device and an aesthetically-pleasing finishing touch.

ROCKIT MOUNT

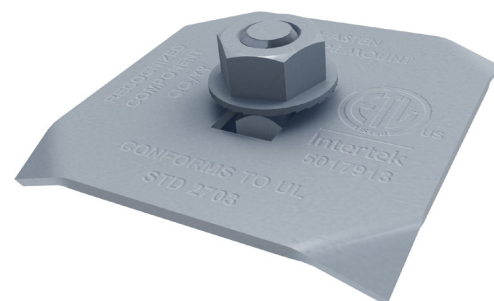
Featuring integrated bonding pins, the RockIt Mount connects to the Slide and can easily be positioned for fast installation. Features top-down leveling.

ROCKIT COMP SLIDE

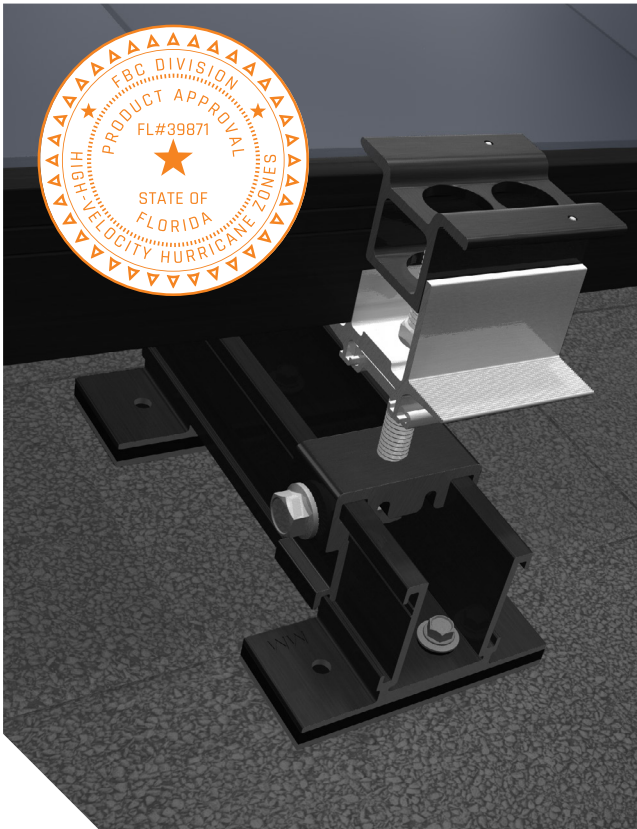
Available in four variations, the RockIt Slide allows installation on composition shingle, tile, and metal roofs.

FRAME MLPE MOUNT

Attaches and fully bonds MLPE's (Module Level Power Electronics) to the module frame with a single bolt clip.



COMPOSITION SHINGLE ROOFS



SMART SLIDE

Patent pending, fast installing simple solution for composition shingle roofs. Eliminates the need to pry up shingle courses and install a metal flashing.

- Multiple opportunities to find the rafter
- No need for additional material when architectural shingles are not level
- Longer 6.75" slide avoids overlaps in shingle courses
- Integrated flashing utilizes UltraGrip Technology™ to create a watertight seal

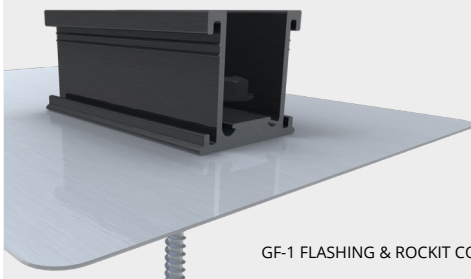


ROCKIT SMART SLIDE

COMP SLIDE

Combine the GF-1 Flashing with the Rockit Slide for a flashed composition shingle roof application.

- Installs without removing shingles
- One lag bolt for single penetration
- Compatible with a variety of EcoFasten compression brackets



GF-1 FLASHING & ROCKIT COMP SLIDE

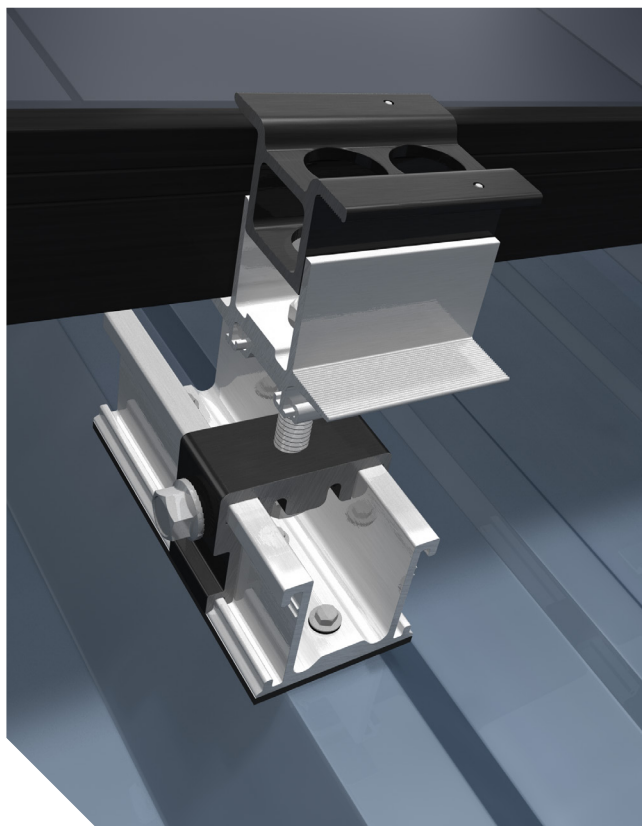
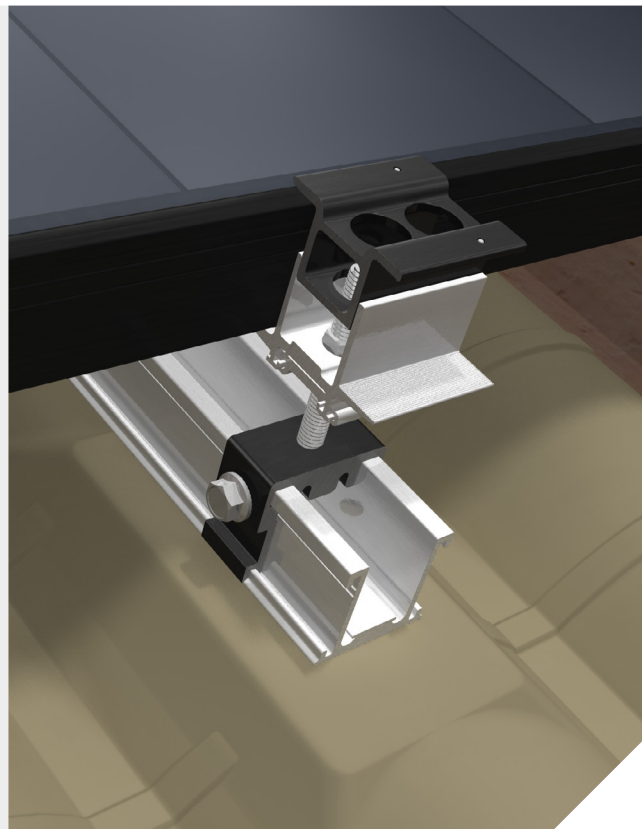
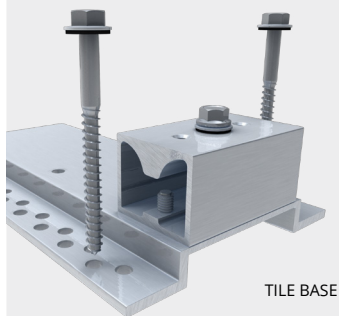


TILE & METAL ROOFS

TILE SLIDE

RockIt installs quickly onto Flat, S, and W tile profiles by combining the Tile Base with the Tile Slide (shown in image at right).

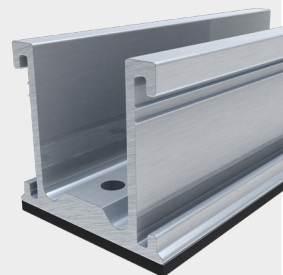
- Tile Slide provides N-S adjustability
- Sierra tan flashing replaces a complete tile
- No grinding, drilling, or cutting tiles



STEEL SLIDE

The RockIt Steel Slide makes it easy to install the RockIt System on corrugated metal roofs.

- Steel Slide attaches directly to the top of the ridge
- Minimal components for a fast & easy installation
- Two attachment points for optimum uplift and pullout values



	PRODUCT IMAGE	PART NUMBER	PART DESCRIPTION	BOX QUANTITY	PALLET QUANTITY	
ASSEMBLED WITH (1) GF GROMMET AND INCLUDES (1) 5/16" EPDM BONDED WASHER						
COMPOSITION ROOFS		3012020	GF-1 FLASHING GLV BLK 8X10"	50	3200	
		3012010	GF-1 FLASHING GLV BLK 8X12"	50	3000	
		2011013	RI COMP SLIDE AL BLK (HARDWARE INCLUDED)	50	3600	
		2011024	SMART SLIDE BLK 6.75"	24	864	
		2011025	RI SMART SCRW #12X3" W/BW	1000	60000	
INCLUDES (2) 5/16" X4" LAG SCREW, (3) 5/16" EPDM BONDED WASHERS AND (1) 5/16"X1 1/4" HEX BOLT						
TILE ROOFS		3013010	TILE BASE FLAT AL	24	480	
		3013011	TILE BASE S AL	24	384	
		3013012	TILE BASE W AL	24	480	
	FLASHING PROFILE WILL MATCH PEDESTAL PROFILE, ASSEMBLED WITH (1) EPDM BUSHING					
		3013013	TILE FLASHING FLAT AL ST	12	384	
		3013014	TILE FLASHING S AL ST	12	384	
	3013015	TILE FLASHING W AL ST	12	384		
ALL HARDWARE INCLUDED WITH TILE BASE						
METAL ROOFS		2011014	RI TILE SLIDE AL MLL	50	2400	
		2011015	RI STEEL SLIDE AL MLL	50	3600	
		2011016	RI SCREW SS #12X1.375" (100)	100	90,000	
MOUNTS		2011020	RI MOUNT AL BLK	24	1680	
		2011021	RI COUPLING AL BLK	24	1200	

PRODUCT IMAGE	PART NUMBER	PART DESCRIPTION	BOX QUANTITY	PALLET QUANTITY
---------------	-------------	------------------	--------------	-----------------

MOUNTS

	2011020	RI MOUNT AL BLK	24	2040
	2011021	RI COUPLING AL BLK	24	1440

SKIRTS

	2099010	SKIRT AL BLK 35MM&40MM A65"	8	360
	2099012	SKIRT AL BLK 35MM&40MM A80"	8	360
	2099013	SKIRT AL BLK 32MM&38MM B65"	8	360
	2099015	SKIRT AL BLK 32MM&38MM B80"	8	360
	2099027	SKIRT AL BLK 30MM C68"	8	360
	2099028	SKIRT AL BLK 30MM C81"	8	360
	2099035	SKIRT END CAP PLS 35MM&40MM-A	500	24000
	2099036	SKIRT END CAP PLS 32MM&38MM-B	500	24000
	2099037	SKIRT END CAP PLS 30MM-C	500	24000
	2099038	LEVELING NUT CAP PLS BLK	500	54000

ASSEMBLED WITH (1) CARRIAGE BOLT & (1) FLANGE NUT

	4011012	FRAME MLPE MOUNT SS	50/300	12600
---	---------	---------------------	--------	-------

INCLUDES (1) 2" LAG BOLT AND (1) SS 8-18 X 3/4" TEK SCREW

ACCESSORIES

	3011010	CONDUIT BRKT COMP MLL	50	10350
	3011014	J-BOX COMP BRKT MLL	50	1800

INCLUDES (1) SS 8-18 X 3/4" TEK SCREW

	3011011	CONDUIT BRKT TILE MLL	60	4320
---	---------	-----------------------	----	------



ECOFASTEN SOLAR

EcoFasten has established a reputation for being one of the industry's leading innovators by providing expert solutions for mounting solar PV on any type of roof. Our broad portfolio of solutions stems from the needs of, and direct inputs by solar PV installers. We take pride in providing the right solution for every application. We educate our customers, so they purchase the best, most cost-effective solutions to fit their needs, and we complement that with on-site installation training to ensure 100% satisfaction. We are honest with ourselves, our customers, and our employees, fostering a culture of idea-sharing, innovation, and creativity.

