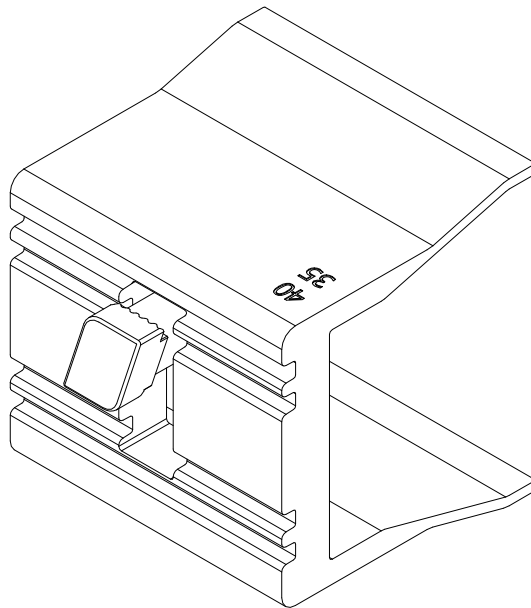
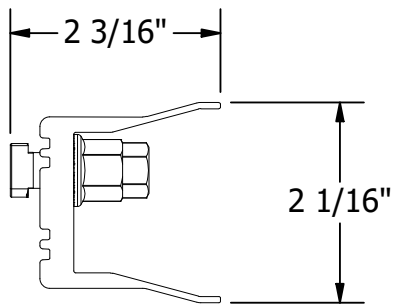
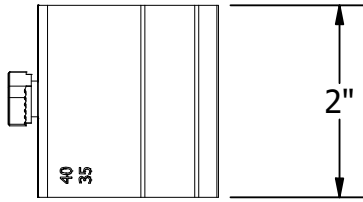


PART # TABLE	
P/N	DESCRIPTION
250110U	SFM UNIV TRIMRAIL CLIP DARK



UNIV TRIMRAIL CLIP



1411 BROADWAY BLVD. NE
 ALBUQUERQUE, NM 87102 USA
 PHONE: 505.242.6411
 WWW.UNIRAC.COM

PRODUCT LINE:	SFM INFINITY
DRAWING TYPE:	PARTS ASSEMBLY
DESCRIPTION:	UNIV TRIMRAIL CLIP
REVISION DATE:	4/22/2019

DRAWING NOT TO SCALE
 ALL DIMENSIONS ARE
 NOMINAL

PRODUCT PROTECTED BY
 ONE OR MORE US PATENTS
 LEGAL NOTICE

SFM-A09
 SHEET