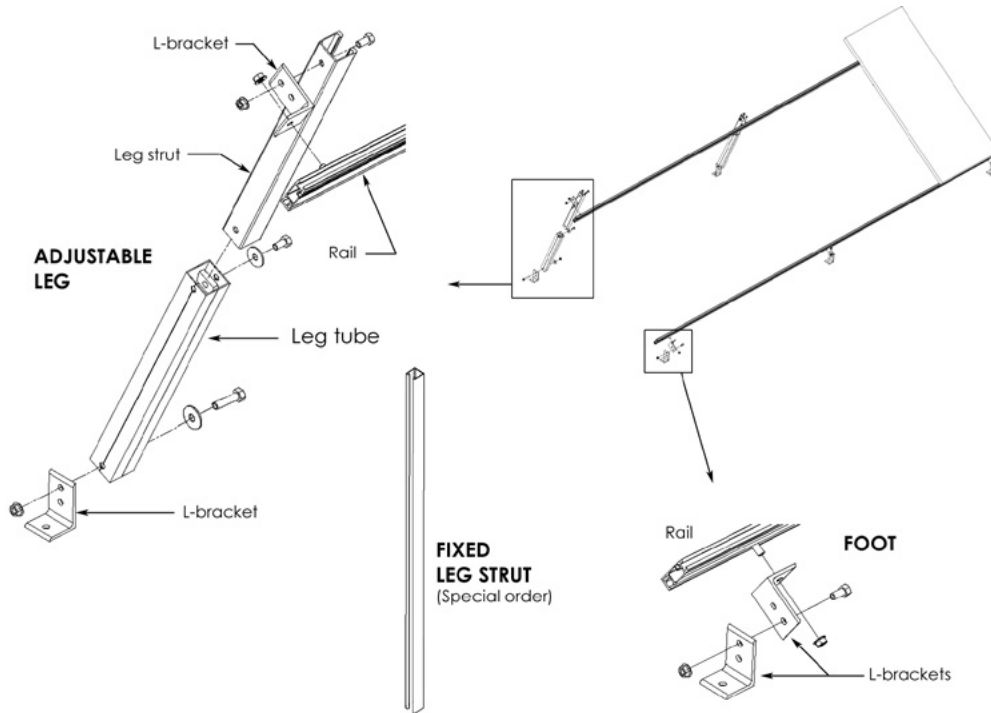


# SOLARMOUNT

## TLL Low-Profile Tilt Legs Installation Supplement 206.3

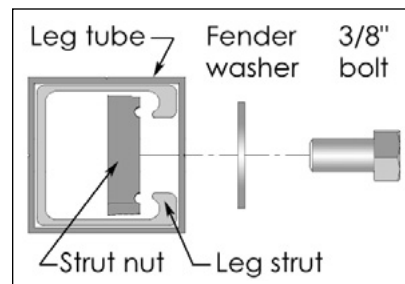
U.S. Des. Patent No. D496,248S, D496,249S. Other patents pending.



### Leg parts list (per leg)

Part	Qty.	Wrench size	Recommended torque (ft-lbs)
<b>Adjustable Leg</b>			
Leg tube	1		
Leg strut	1		
Bolt, 3/8" x 1-1/4"	2	9/16"	15
Bolt, 3/8" x 3"	1	9/16"	15
Fender washer, 3/8"	1		
Strut nut, 3/8"	1		
Flange nut, 3/8"	1	9/16"	15
<b>Fixed Leg</b>			
Leg strut	1		
Bolt, 3/8" x 1-1/4"	2	9/16"	15
Flange nut, 3/8"	2		

**Figure 1. Leg and Foot Assembly: Illustrated parts are from your leg kit and your SMR rail set. Leg kit parts are listed in the parts inventory below.**



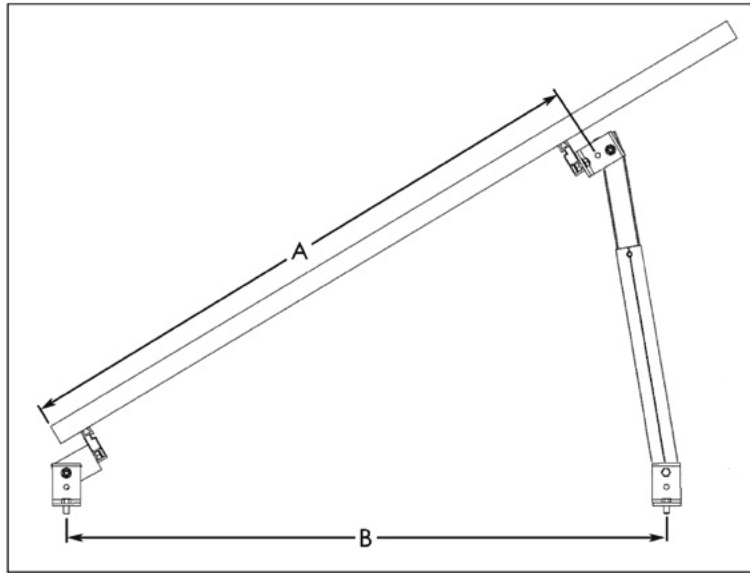
**Figure 2. Adjustable Leg Cross Section**

Please cover these illustrations thoroughly before proceeding.

The installer is solely responsible for complying with applicable building codes and for all aspects of electrical installation of the PV array.

Use the parts list to verify that all parts are present. Note that Figures 1 and 3 illustrate parts from both your leg kit and your SMR rail set.





**Figure 3. Spacing between front and back feet (B) should approximately equal the distance between the lower end of the module and the upper L-bracket (A).**

## Warranty Information

---

See <http://www.unirac.com> for current warranty documents and information.