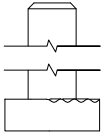


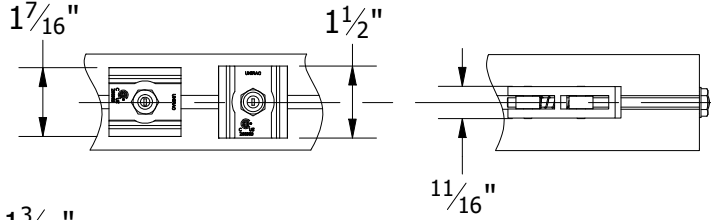
TOP VIEW

INSTALLED T-BOLT MARK MUST ALWAYS FACE NORTH - SOUTH

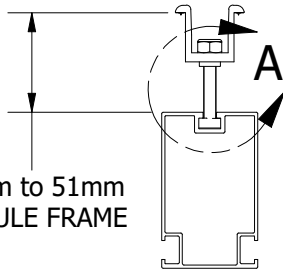
PART # TABLE	
P/N	DESCRIPTION
302040M	PRO ENDCLAMP
302030M	MILL PRO MIDCLAMP
302030D	DARK PRO MIDCLAMP



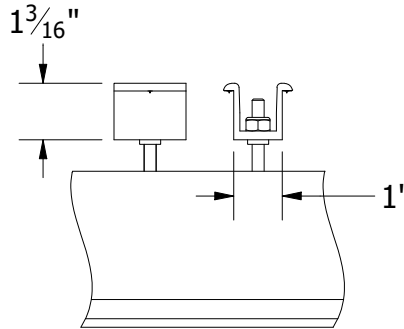
DETAIL A



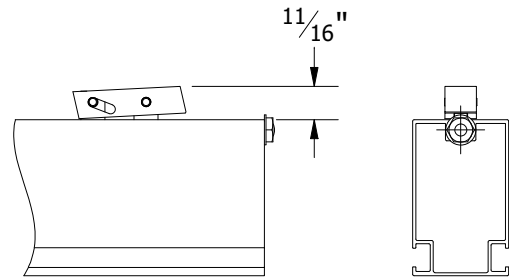
11/16"



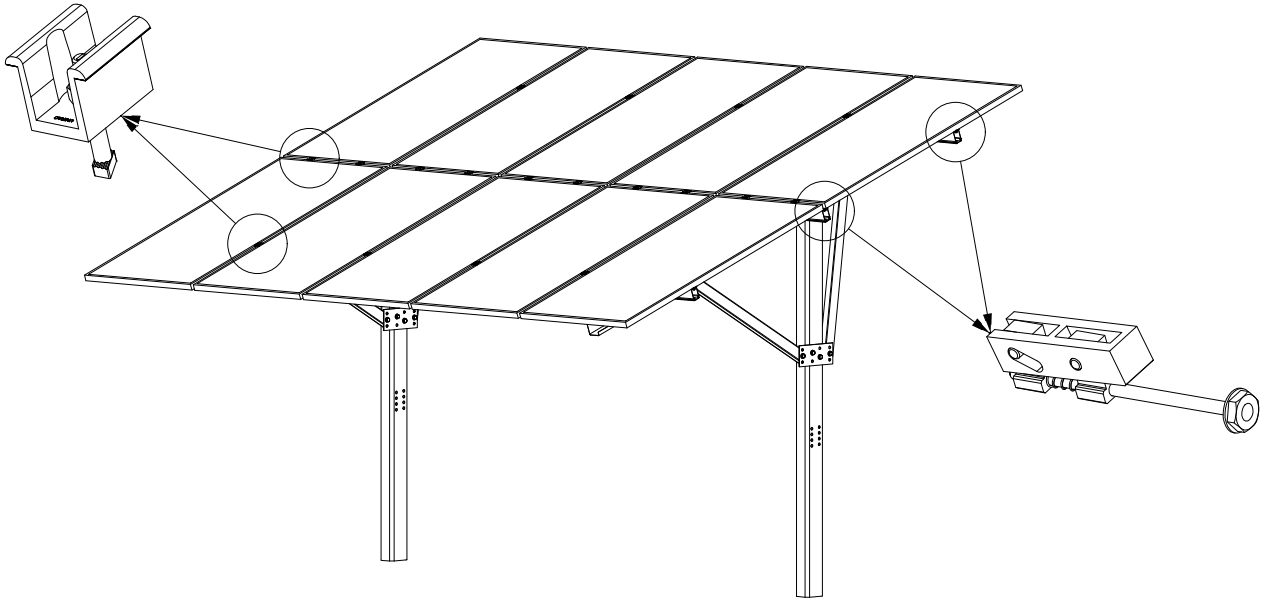
30mm to 51mm  
MODULE FRAME



PRO SERIES MIDCLAMP



PRO SERIES ENDCLAMP



1411 BROADWAY BLVD. NE  
ALBUQUERQUE, NM 87102 USA  
PHONE: 505.242.6411  
WWW.UNIRAC.COM

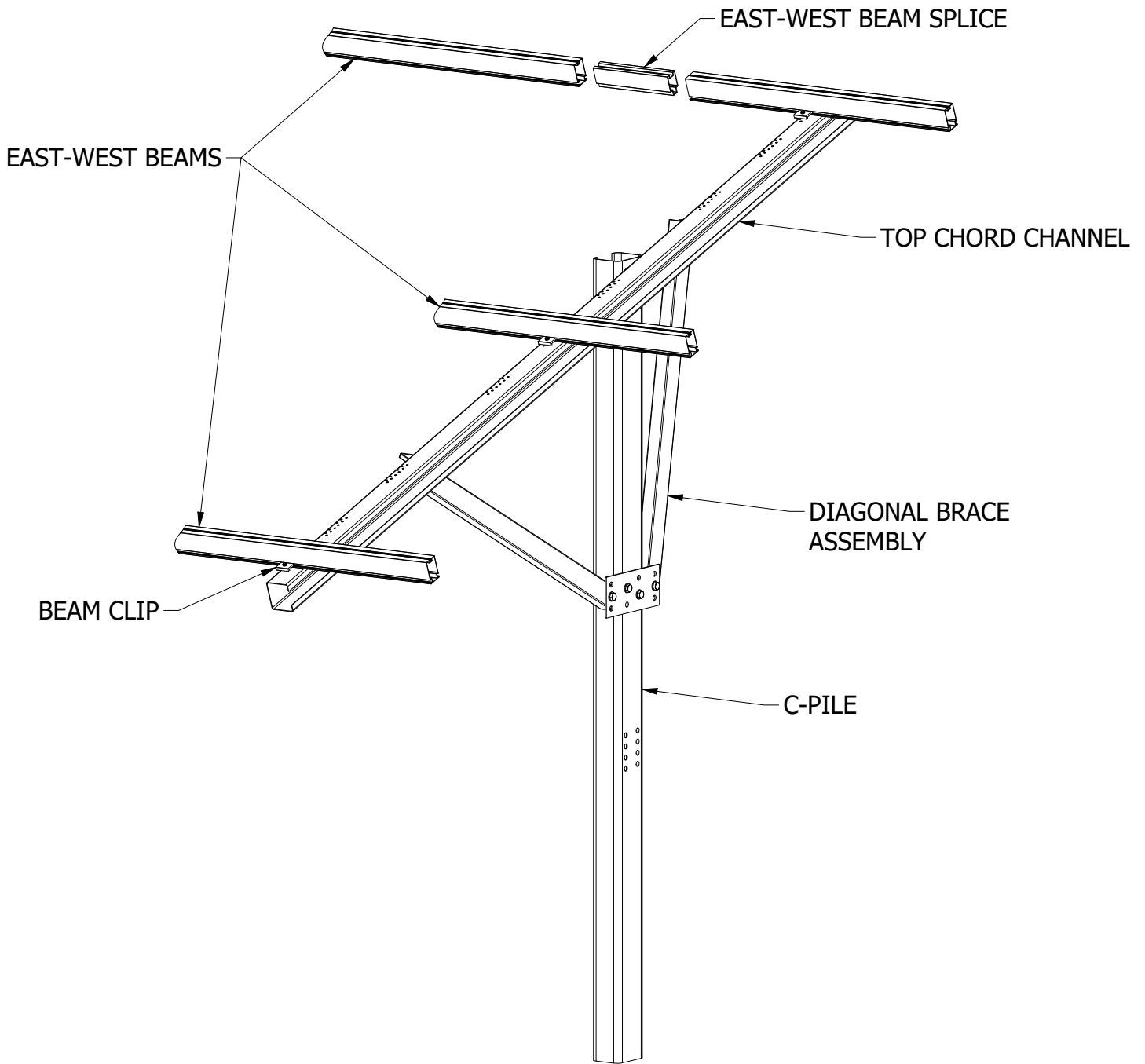
PRODUCT LINE:	GFT
DRAWING TYPE:	ASSEMBLY DETAIL
DESCRIPTION:	PRO SERIES BONDING CLAMPS
REVISION DATE:	10/23/2019

DRAWING NOT TO SCALE  
ALL DIMENSIONS ARE  
NOMINAL

PRODUCT PROTECTED BY  
ONE OR MORE US PATENTS  
LEGAL NOTICE

GFT-A01

SHEET



1411 BROADWAY BLVD. NE  
 ALBUQUERQUE, NM 87102 USA  
 PHONE: 505.242.6411  
 WWW.UNIRAC.COM

PRODUCT LINE:	GFT
DRAWING TYPE:	ASSEMBLY
DESCRIPTION:	COMPONENTS
REVISION DATE:	5/21/2020

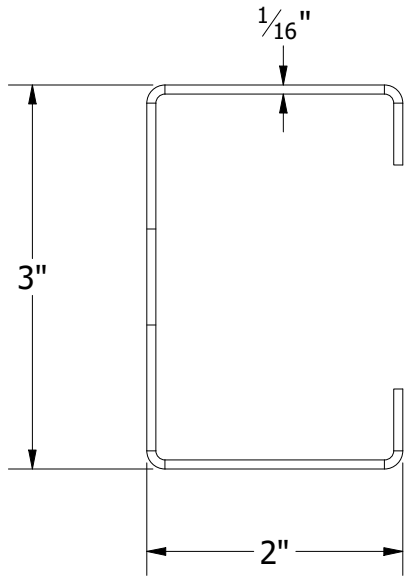
DRAWING NOT TO SCALE  
 ALL DIMENSIONS ARE  
 NOMINAL

PRODUCT PROTECTED BY  
 ONE OR MORE US PATENTS  
 LEGAL NOTICE

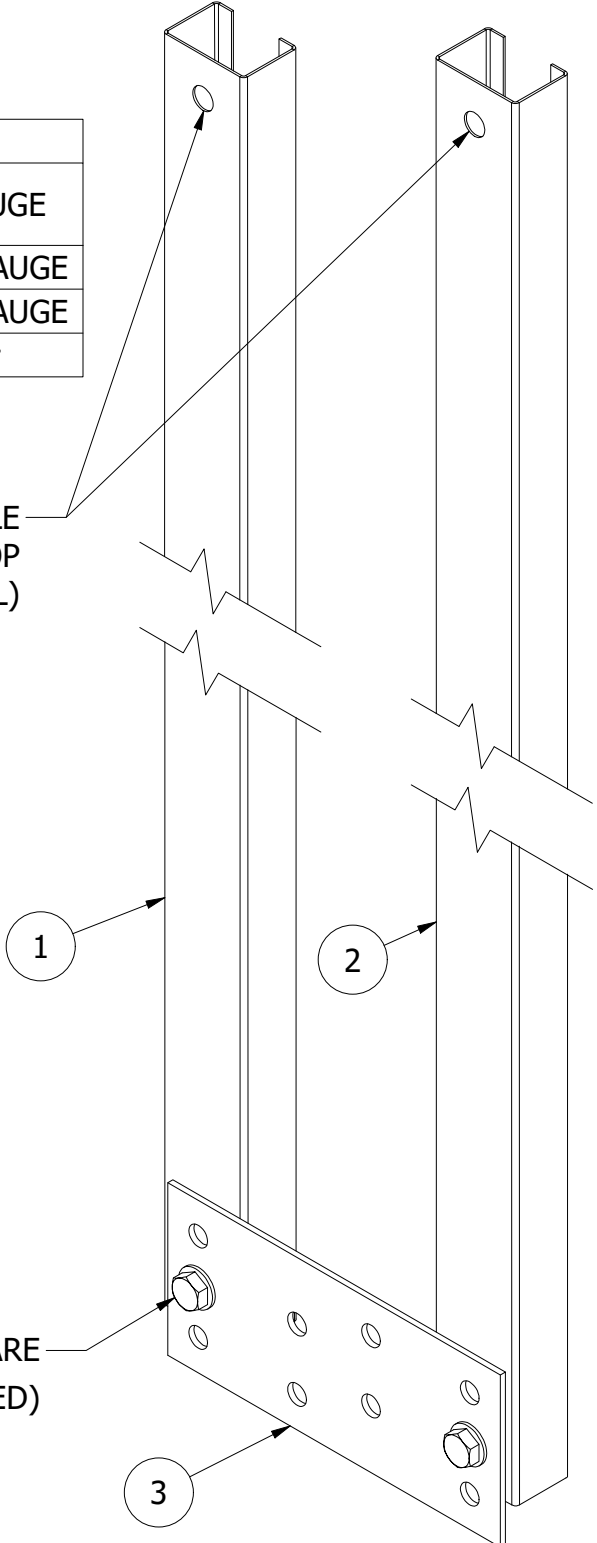
GFT-A02  
 SHEET

ASSEMBLY # TABLE	
P/N	DESCRIPTION
404031	20° DIAGONAL BRACE ASSEMBLY

PARTS LIST				
ITEM	QTY	DESCRIPTION	LENGTH	GAUGE
1	1	FRONT DIAGONAL BRACE	4'-5 3/4"	14 GAUGE
2	1	REAR DIAGONAL BRACE	4'-2"	14 GAUGE
3	1	DIAGONAL BRACE PLATE	-	-



2X - BOLT HOLE  
(ATTACHES TO TOP  
CHORD CHANNEL)



Ø 5/8" HARDWARE  
(PRE-ASSEMBLED)

**UNIRAC**<sup>®</sup>

1411 BROADWAY BLVD. NE  
ALBUQUERQUE, NM 87102 USA  
PHONE: 505.242.6411  
WWW.UNIRAC.COM

PRODUCT LINE:	GFT
DRAWING TYPE:	ASSEMBLY DETAIL
DESCRIPTION:	20° DIAGONAL BRACE ASSEMBLY
REVISION DATE:	10/23/2019

DRAWING NOT TO SCALE  
ALL DIMENSIONS ARE  
NOMINAL

PRODUCT PROTECTED BY  
ONE OR MORE US PATENTS

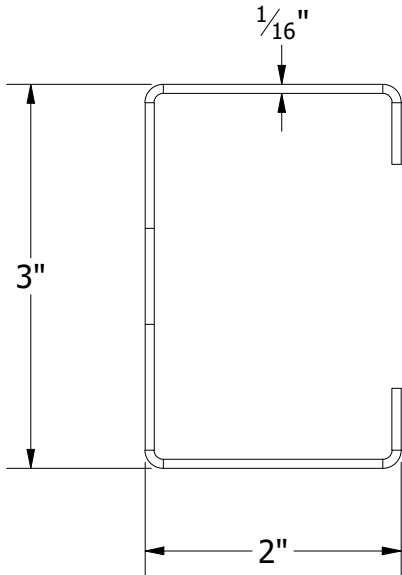
LEGAL NOTICE

**GFT-A03**

SHEET

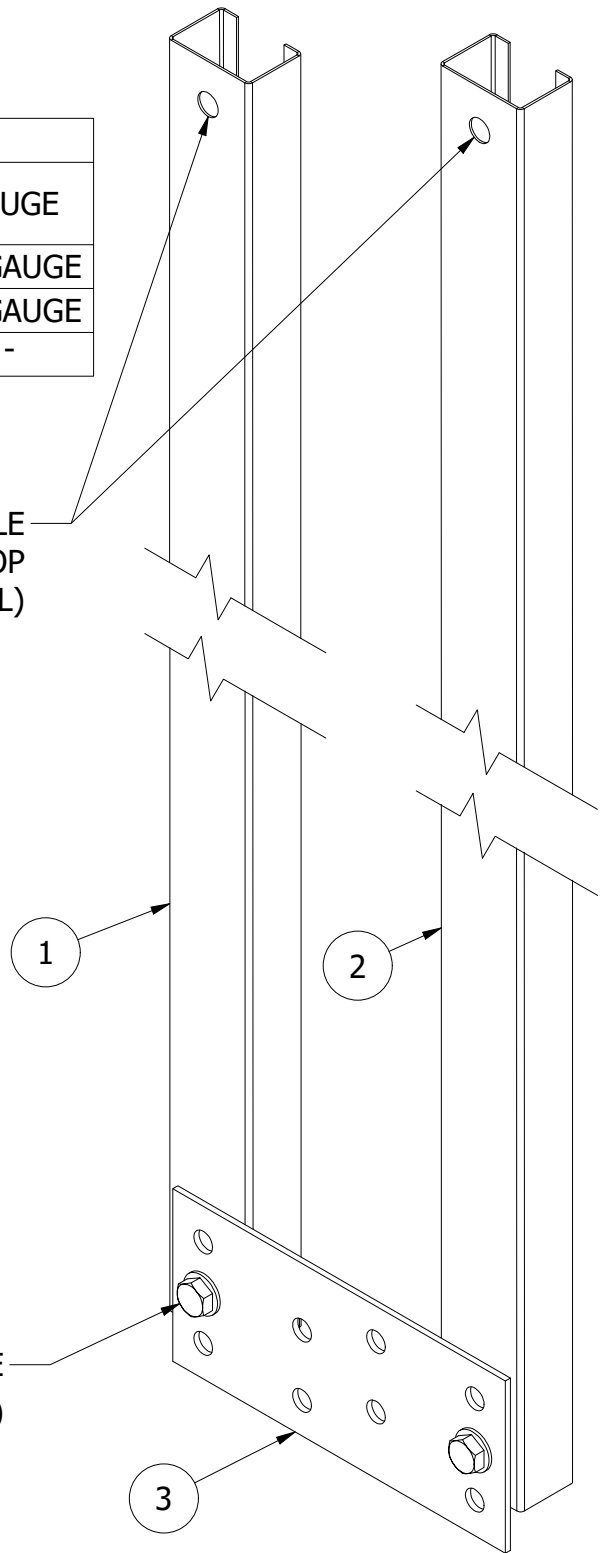
ASSEMBLY # TABLE	
P/N	DESCRIPTION
404032	30° DIAGONAL BRACE ASSEMBLY

PARTS LIST				
ITEM	QTY	DESCRIPTION	LENGTH	GAUGE
1	1	FRONT DIAGONAL BRACE	4'-10 1/8"	14 GAUGE
2	1	REAR DIAGONAL BRACE	6'-1 3/8"	14 GAUGE
3	1	DIAGONAL BRACE PLATE	-	-



2X - BOLT HOLE  
(ATTACHES TO TOP  
CHORD CHANNEL)

Ø 5/8" HARDWARE  
(PRE-ASSEMBLED)



1411 BROADWAY BLVD. NE  
ALBUQUERQUE, NM 87102 USA  
PHONE: 505.242.6411  
WWW.UNIRAC.COM

PRODUCT LINE:	GFT
DRAWING TYPE:	ASSEMBLY DETAIL
DESCRIPTION:	30° DIAGONAL BRACE ASSEMBLY
REVISION DATE:	10/23/2019

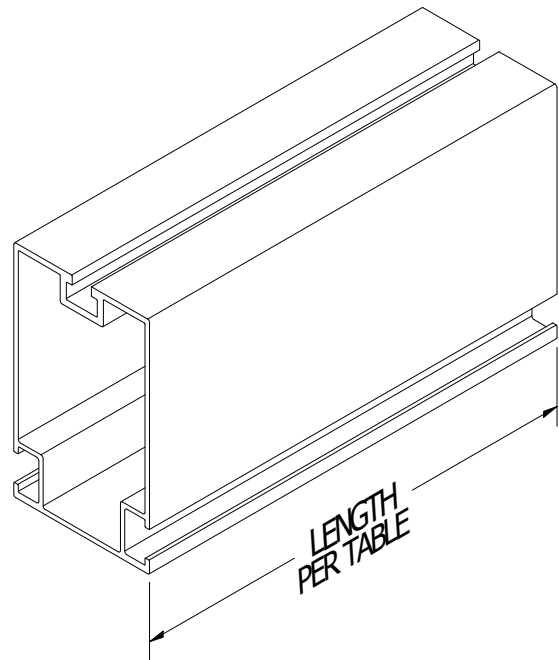
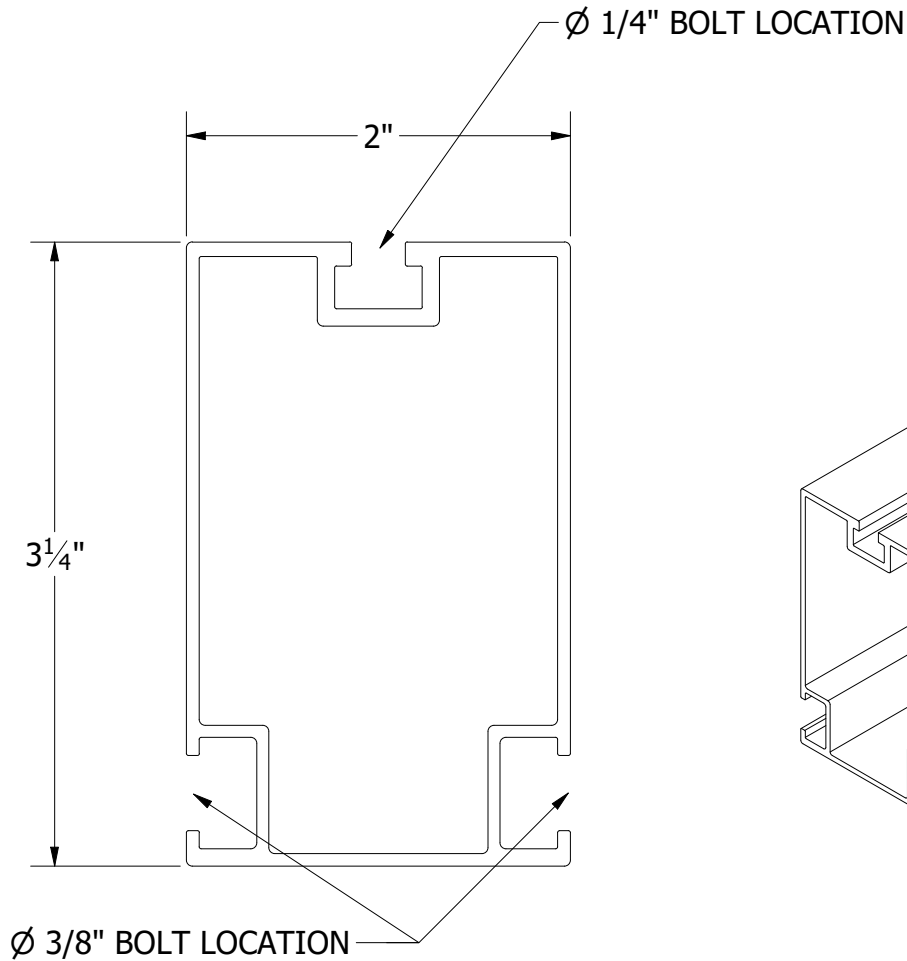
DRAWING NOT TO SCALE  
ALL DIMENSIONS ARE  
NOMINAL

PRODUCT PROTECTED BY  
ONE OR MORE US PATENTS  
LEGAL NOTICE

GFT-A04

SHEET

PART # TABLE		
P/N	DESCRIPTION	LENGTH
411166M	MILL EAST-WEST BEAM 166 IN	13'-10"
411246M	MILL EAST-WEST BEAM 246 IN	20'-6"



1411 BROADWAY BLVD. NE  
ALBUQUERQUE, NM 87102 USA  
PHONE: 505.242.6411  
WWW.UNIRAC.COM

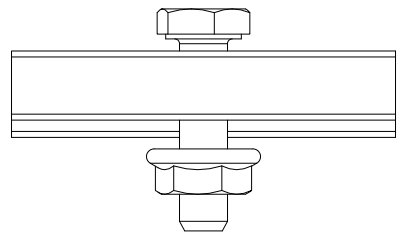
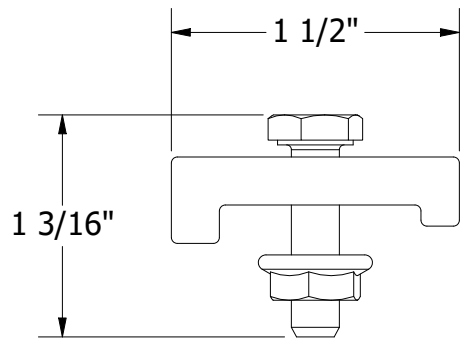
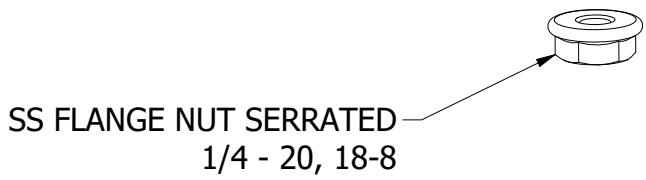
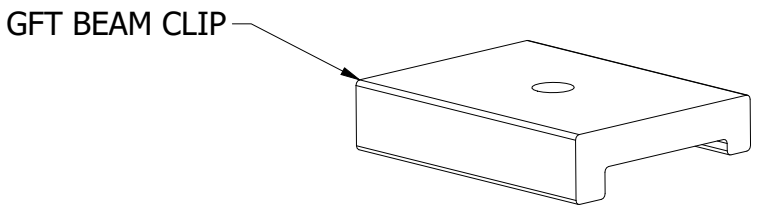
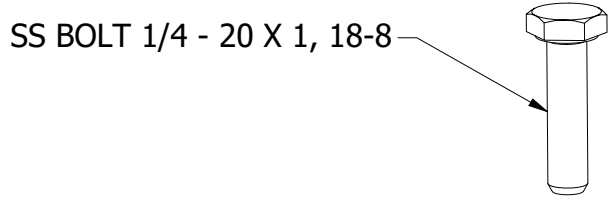
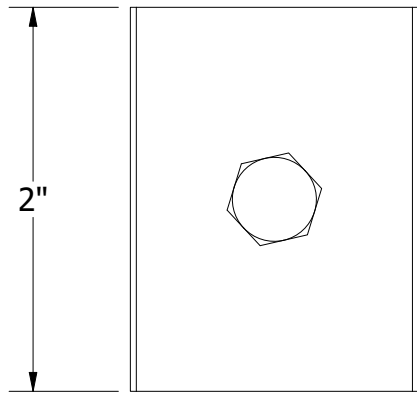
PRODUCT LINE:	GFT
DRAWING TYPE:	PART DETAIL
DESCRIPTION:	EAST-WEST BEAM
REVISION DATE:	10/23/2019

DRAWING NOT TO SCALE  
ALL DIMENSIONS ARE  
NOMINAL

PRODUCT PROTECTED BY  
ONE OR MORE US PATENTS  
LEGAL NOTICE

GFT-P01  
SHEET

PART TABLE	
P/N	DESCRIPTION
404020	GFT RAIL SUPPLEMENTAL HDWR 4-RAIL



1411 BROADWAY BLVD. NE  
ALBUQUERQUE, NM 87102 USA  
PHONE: 505.242.6411  
WWW.UNIRAC.COM

PRODUCT LINE:	GFT
DRAWING TYPE:	ASSEMBLY DETAIL
DESCRIPTION:	GFT HARDWARE KIT
REVISION DATE:	5/21/2020

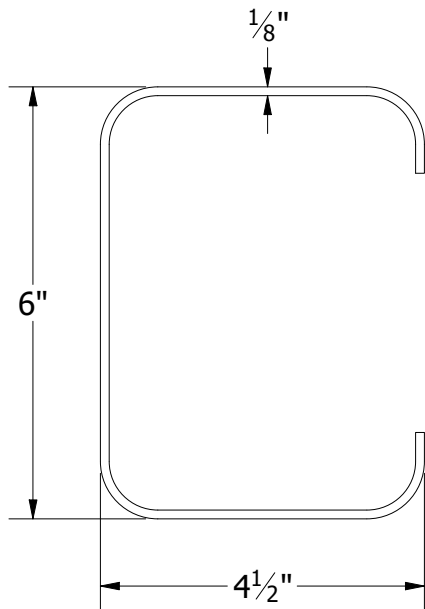
DRAWING NOT TO SCALE  
ALL DIMENSIONS ARE  
NOMINAL

PRODUCT PROTECTED BY  
ONE OR MORE US PATENTS

LEGAL NOTICE

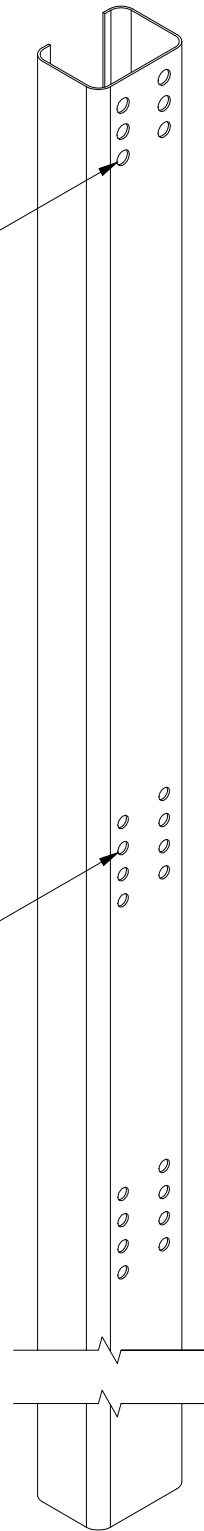
GFT-A05  
SHEET

PART # TABLE			
P/N	DESCRIPTION	LENGTH	GAUGE
404001	12.5 FT C-PILE	12'-6"	11 GAUGE
404002	15 FT C-PILE	15'	11 GAUGE



TOP CHORD ATTACHMENT POINT  
(6 BOLT HOLE PATTERN)

DIAGONAL BRACE PLATE  
ATTACHMENT POINT  
(2X - 8 BOLT HOLE PATTERN)



NOTE: SEE CONSTRUCTION  
DRAWINGS FOR IMBEDMENT DEPTH  
AND FOUNDATION OPTIONS.



1411 BROADWAY BLVD. NE  
ALBUQUERQUE, NM 87102 USA  
PHONE: 505.242.6411  
WWW.UNIRAC.COM

PRODUCT LINE:	GFT
DRAWING TYPE:	PART DETAIL
DESCRIPTION:	C-PILE
REVISION DATE:	10/23/2019

DRAWING NOT TO SCALE  
ALL DIMENSIONS ARE  
NOMINAL

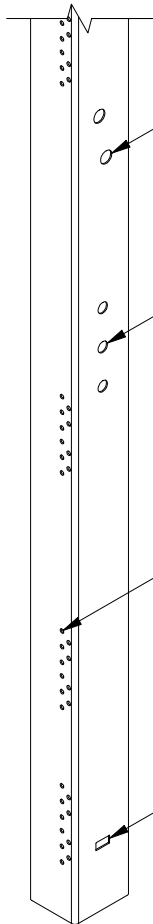
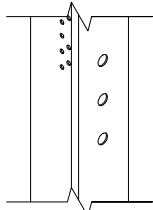
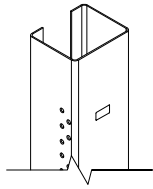
PRODUCT PROTECTED BY  
ONE OR MORE US PATENTS

LEGAL NOTICE

GFT-P02

SHEET

PART # TABLE			
P/N	DESCRIPTION	LENGTH	GAUGE
404036	TOP CHORD CHANNEL	11'-6 5/8"	14 GAUGE

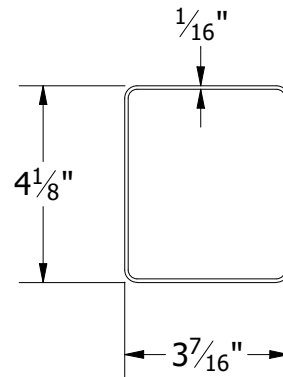


C-PILE ATTACHMENT POINT  
(2 BOLT HOLE PATTERN)

DIAGONAL BRACE ATTACHMENT POINT  
(2X - 3 BOLT HOLE PATTERN)

EAST - WEST BEAM ATTACHMENT  
HOLE PACKS

MANUFACTURING SLOT  
(NOT USED)



1411 BROADWAY BLVD. NE  
ALBUQUERQUE, NM 87102 USA  
PHONE: 505.242.6411  
WWW.UNIRAC.COM

PRODUCT LINE:	GFT
DRAWING TYPE:	PART DETAIL
DESCRIPTION:	TOP CHORD CHANNEL
REVISION DATE:	10/23/2019

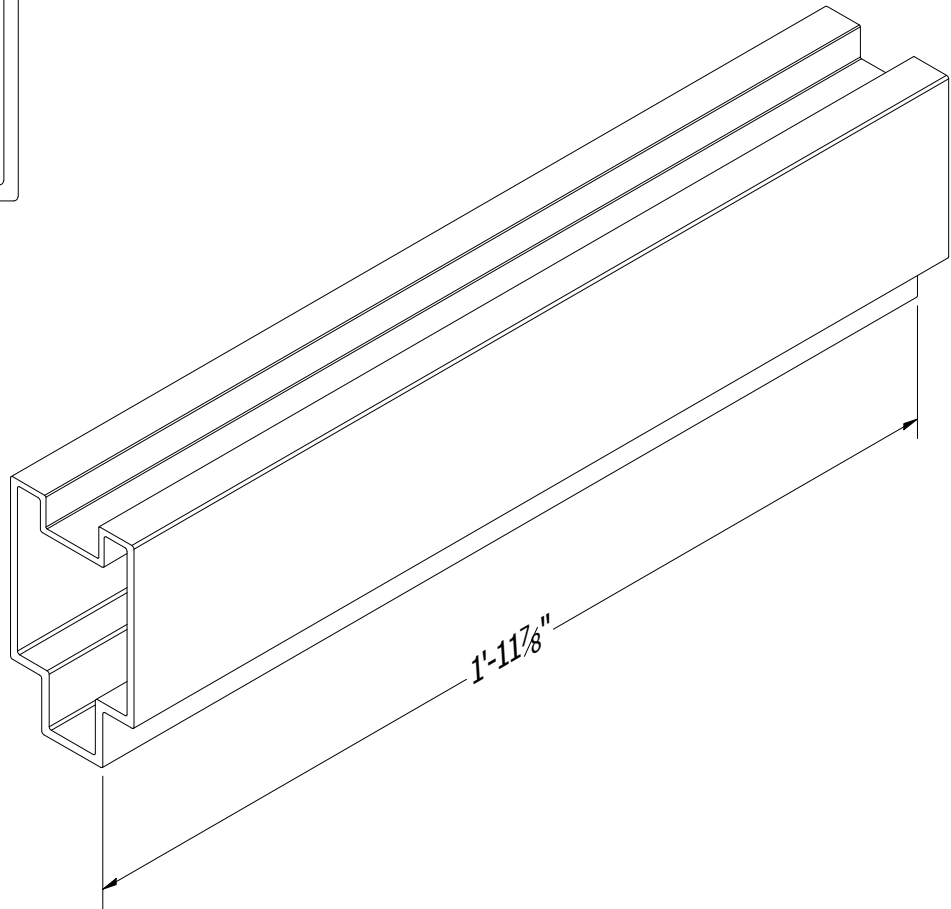
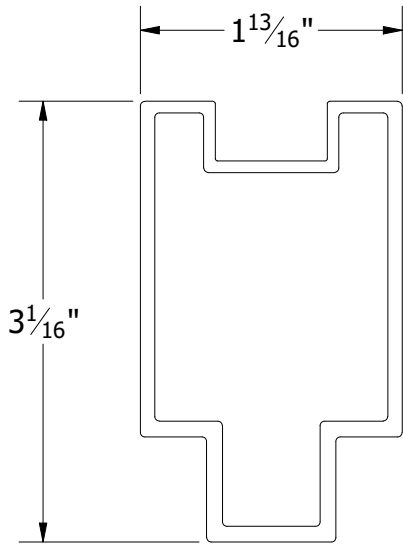
DRAWING NOT TO SCALE  
ALL DIMENSIONS ARE  
NOMINAL

PRODUCT PROTECTED BY  
ONE OR MORE US PATENTS  
LEGAL NOTICE

GFT-P03  
SHEET



PART # TABLE	
P/N	DESCRIPTION
404014	EAST-WEST BEAM SPLICE



1411 BROADWAY BLVD. NE  
 ALBUQUERQUE, NM 87102 USA  
 PHONE: 505.242.6411  
 WWW.UNIRAC.COM

PRODUCT LINE:	GFT
DRAWING TYPE:	PART DETAIL
DESCRIPTION:	EAST-WEST BEAM SPLICE
REVISION DATE:	10/23/2019

DRAWING NOT TO SCALE  
 ALL DIMENSIONS ARE  
 NOMINAL

PRODUCT PROTECTED BY  
 ONE OR MORE US PATENTS

LEGAL NOTICE

GFT-P04

SHEET