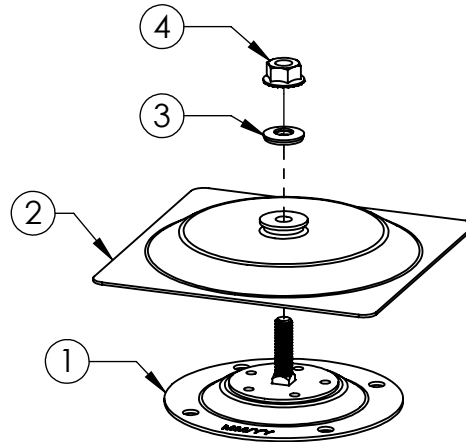


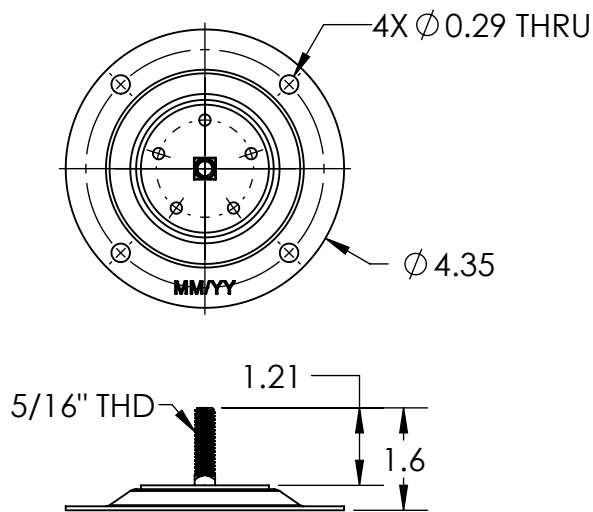
# SIMPLEGRIP BASE ASSEMBLY AL

PART NUMBER	DESCRIPTION
3015015	SIMPLEGRIP BASE ASSEMBLY AL



ITEM NO.	DESCRIPTION
1	SIMPLEGRIP-SQ SUB ASSY
2	SIMPLEGRIP-SQ-BUSHING GF EPDM SUB-ASSY
3	WASHER, SEALING, 5/16" EPDM BACKED STAINLESS STEEL
4	SS SERRATED FLG LOCKNUT, 5/16-18

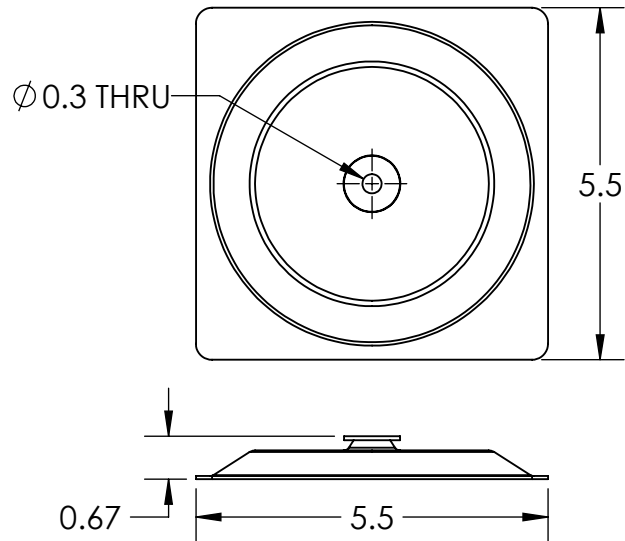
## 1) SIMPLEGRIP-SQ SUB ASSY



Material	Steel
Finish	Mill

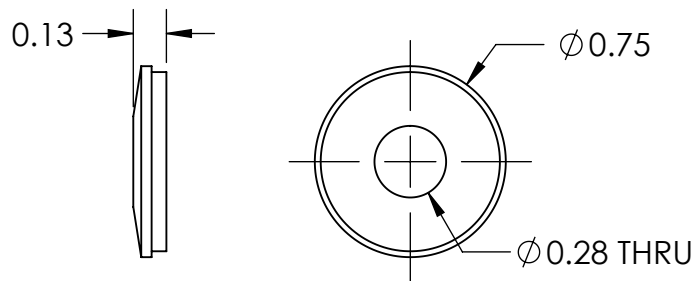
# SIMPLEGRIP BASE ASSEMBLY AL

## 2) SIMPLEGRIP-SQ-BUSHING GF EPDM SUB-ASSY



Material	Aluminum
Finish	Mill

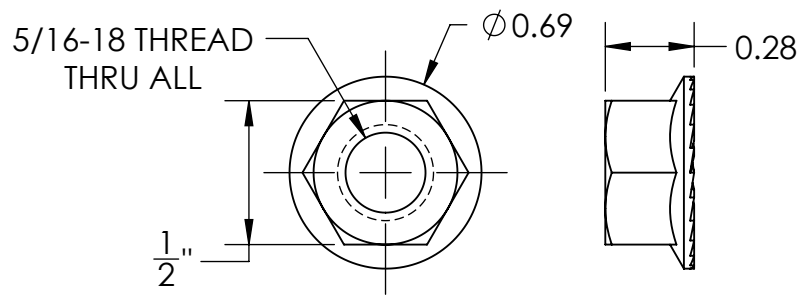
## 3) WASHER, SEALING, 5/16" EPDM BACKED STAINLESS STEEL



Material	Stainless Steel/EPDM
Finish	Mill

# SIMPLEGRIP BASE ASSEMBLY AL

4) SS SERRATED FLG LOCKNUT, 5/16-18



Material	Stainless Steel
Finish	Mill