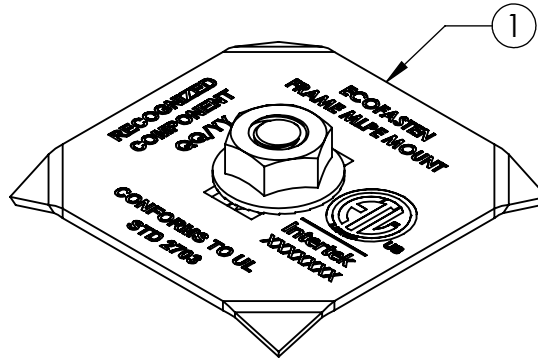


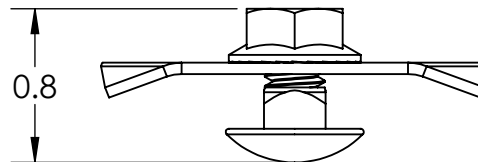
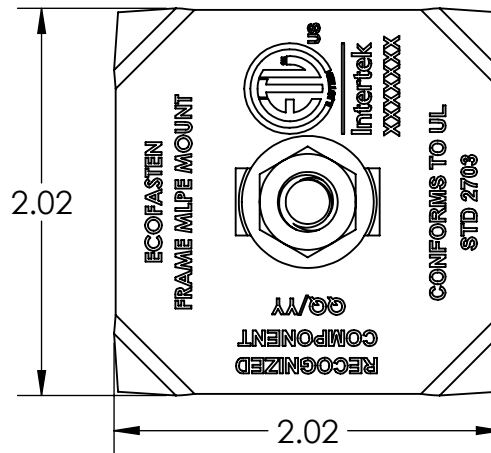
FRAME MLPE MOUNT SS

PART NUMBER	DESCRIPTION
4011012	FRAME MLPE MOUNT SS



ITEM NO.	DESCRIPTION
1	FRAME MLPE MOUNT ASSEMBLY

1) FRAME MLPE MOUNT ASSEMBLY



Material	Stainless Steel
Finish	Mill