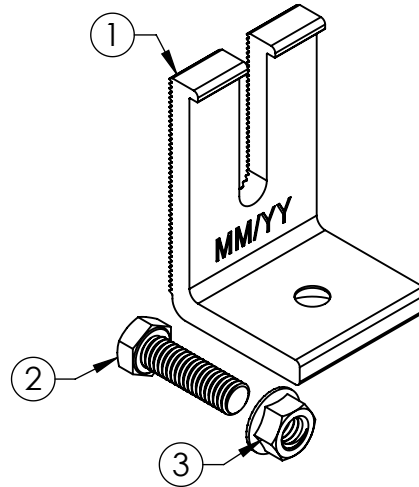


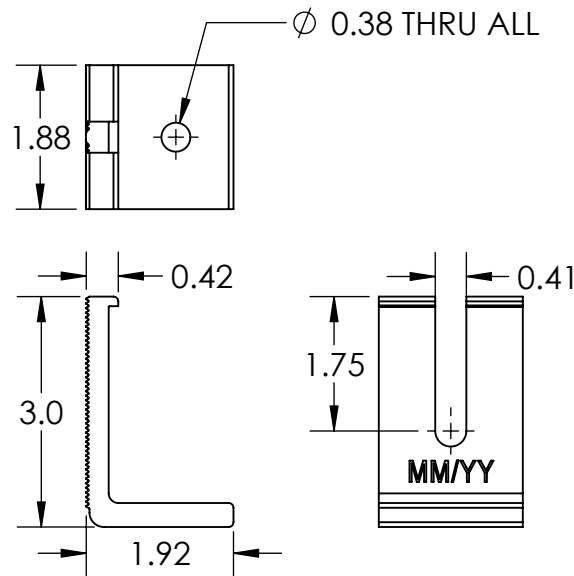
L-FOOT SCL-101 BLK 3"

PART NUMBER	DESCRIPTION
3011018	L-FOOT SCL-101 BLK 3"



ITEM NO.	DESCRIPTION
1	L FOOT W/ STANDARD DIMPLE AND OPEN SLOT, 3 IN TALL BLK
2	SS HEX HD CAP SCREW, FULL THD, 3/8-16 UNC X 1.25 LONG
3	SS SERRATED FLANGE LOCK NUT, 3/8-16

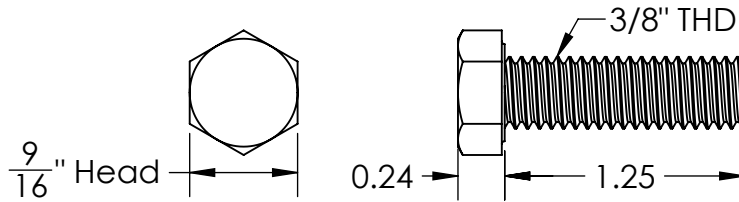
1) L FOOT W/ STANDARD DIMPLE AND OPEN SLOT, 3 IN TALL BLK



Material	Aluminum
Finish	Mill

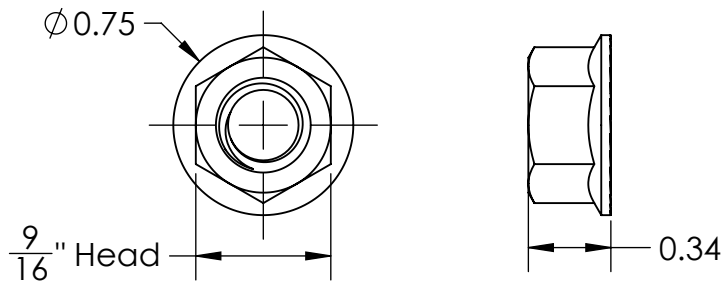
L-FOOT SCL-101 BLK 3"

2) SS HEX HD CAP SCREW, FULL THD, 3/8-16 UNC X 1.25 LONG



Material	Stainless Steel
Finish	Mill

3) SS SERRATED FLANGE LOCK NUT, 3/8-16



Material	Stainless Steel
Finish	Mill