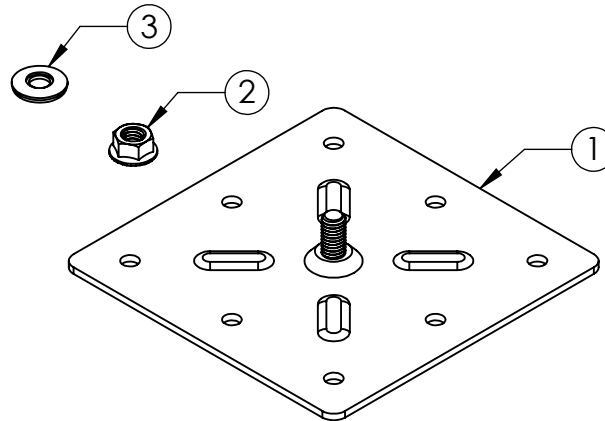


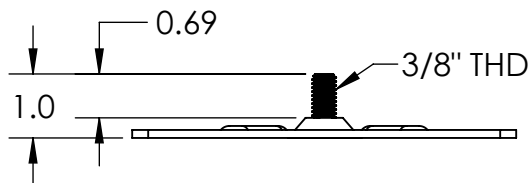
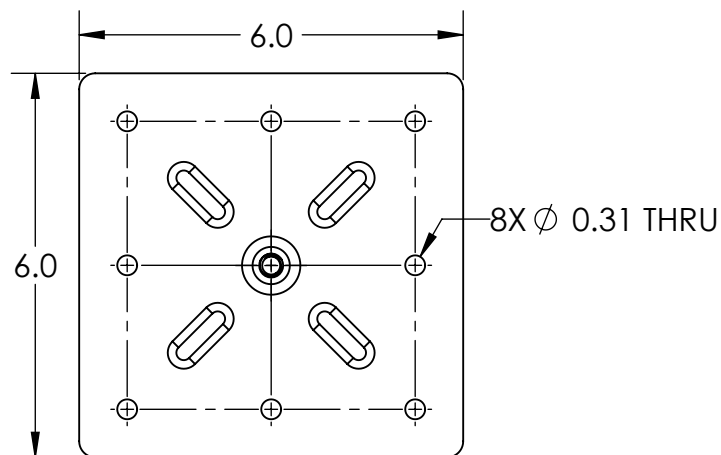
44-R BASE SS 6X6"

PART NUMBER	DESCRIPTION
3015013	44-R BASE SS 6X6"



ITEM NO.	DESCRIPTION
1	EF-44R-BASE-SS-NDD WELDMENT
2	SS SERRATED FLANGE LOCK NUT, 3/8-16
3	3/8 STAINLESS STEEL AND EPDM BONDED SEALING WASHER

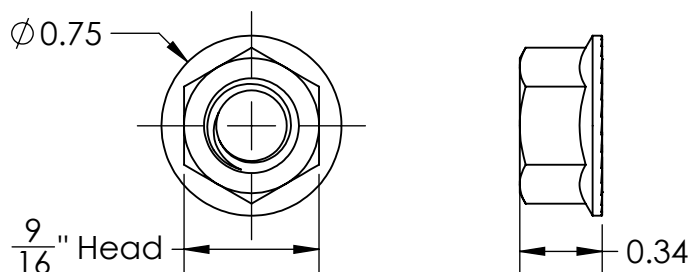
1) EF-44R-BASE-SS-NDD WELDMENT



Material	Stainless Steel
Finish	Mill

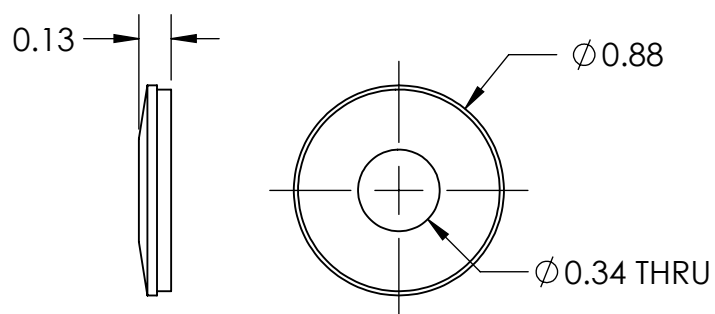
44-R BASE SS 6X6"

2) SS SERRATED FLANGE LOCK NUT, 3/8-16



Material	Stainless Steel
Finish	Mill

3) 3/8 STAINLESS STEEL AND EPDM BONDED SEALING WASHER



Material	Stainless Steel/EPDM
Finish	Mill