

SIMPLE SEAL

**WATERTIGHT SEAL FOR
ECOFASTEN BRACKETS**

INSTALLATION GUIDE

REVISION: 08/02/22

VERSION: V2.3

SIMPLESEAL

INSTALLATION GUIDE



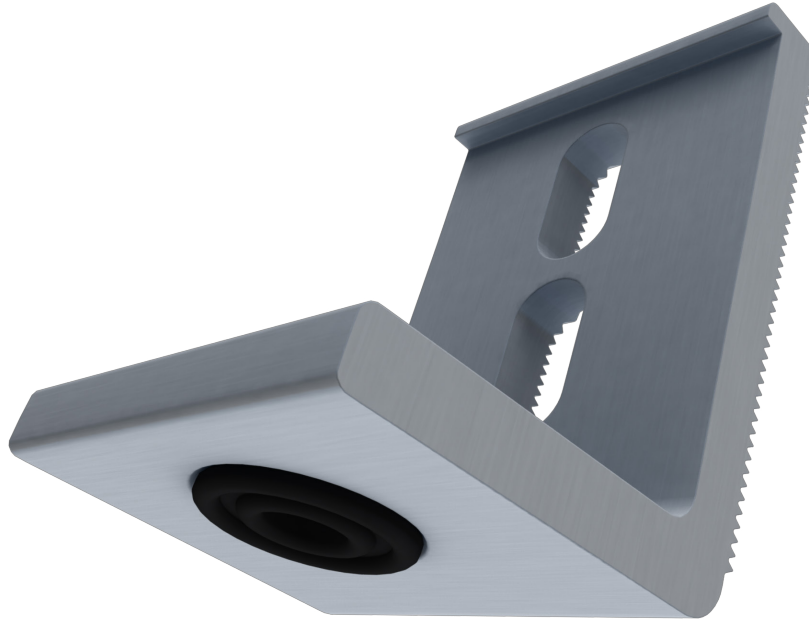
EcoFasten[®]
For Installers. By Installers.

CLICKING THE PAGE NAME WILL TAKE YOU TO THAT PAGE

<u>TABLE OF CONTENTS</u>	<u>PAGE 01</u>
<u>FEATURES & BENEFITS</u>	<u>PAGE 02</u>
<u>COMPONENTS</u>	<u>PAGE 03</u>
<u>INSTALLATION</u>	<u>PAGE 04</u>
<u>LINE DRAWINGS</u>	<u>PAGE 06</u>
<u>SPECIFICATIONS</u>	<u>PAGE 12</u>

SIMPLESEAL

INSTALLATION GUIDE



SIMPLESEAL

SimpleSeal was designed for installation on most metal roofs. The system utilizes a cone-shaped EPDM rubber bushing that fits into the countersink found on the underside of any EcoFasten compression bracket. When fastened to the roof, engaging a purlin or rafter, the SimpleSeal bushing is compressed inside the bracket, creating a watertight seal.

FEATURES

- Patented watertight technology
- Minimal components
- Compatible with a variety of EcoFasten compression brackets

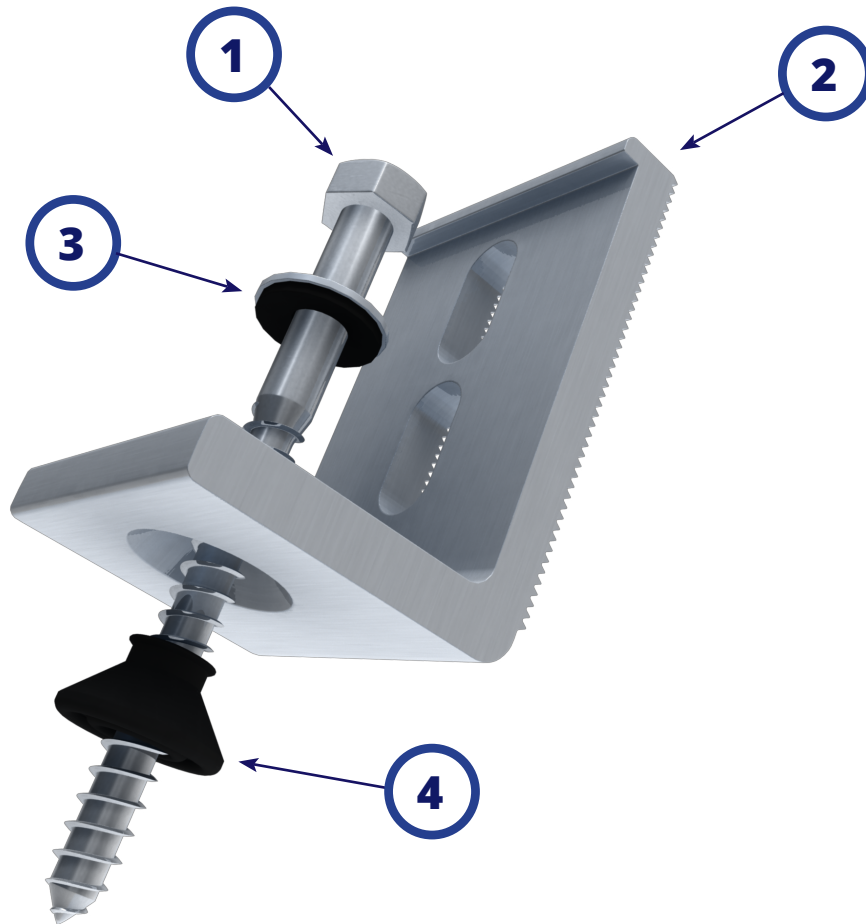
FEATURES + BENEFITS

SIMPLESEAL

INSTALLATION GUIDE



SYSTEM COMPONENTS



1. 5/16" LAG BOLT
(AVAILABLE IN 3" AND 4")

2. L-FOOT SCL-101 ML 3"
(OTHER OPTIONS AVAILABLE)

3. 5/16" EPDM BONDED WASHER

4. SIMPLESEAL EPDM BUSHING

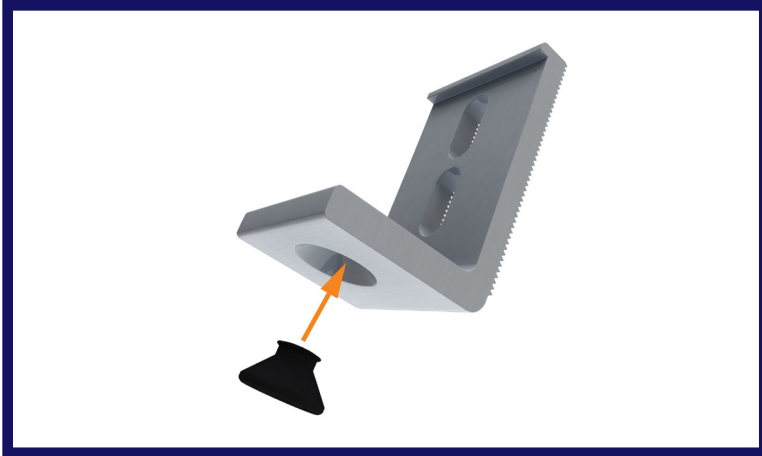
COMPONENTS

SIMPLESEAL

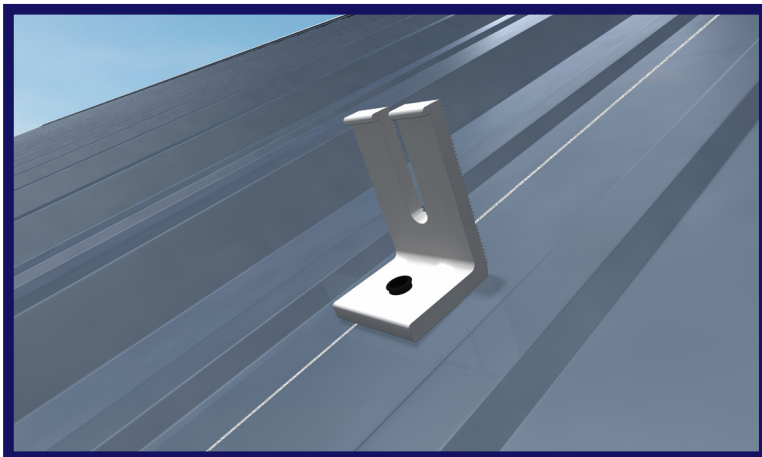
INSTALLATION GUIDE



INSTALLING SIMPLESEAL



Pre-install the cone-shaped rubber SimpleSeal EPDM bushing into an EcoFasten compression bracket of your choice prior to installation by inserting the tip of the cone into the corresponding shape in the bottom of the compression bracket. The ridge around the tip of the cone will hold the bushing in place until the bracket is installed.



Place the compression bracket on roof surface above a supporting structural component, ensuring that the bushing sits flat against the roof surface. SimpleSeal is not designed to be installed on any ridge or corrugation of the metal roof surface.

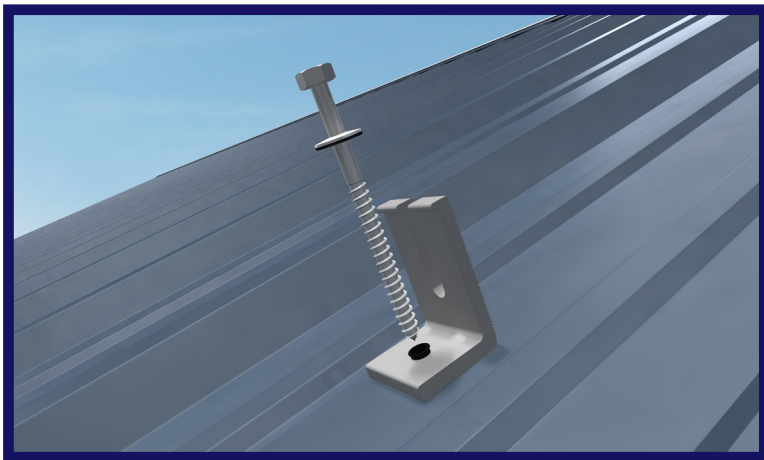
INSTALLATION

SIMPLESEAL

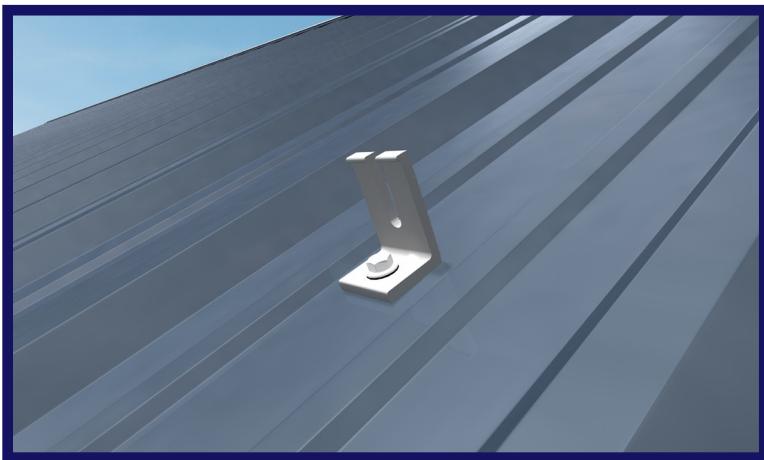
INSTALLATION GUIDE



INSTALLING SIMPLESEAL



Thread the 5/16" EPDM bonded sealing washer onto the 5/16" lag bolt and insert the bolt into the top of SimpleSeal EPDM bushing.

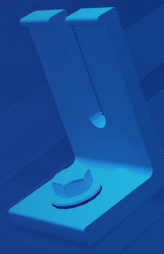


Tighten fastener until bracket is pulled down snug to the roof surface. The tension required will vary with the project roof deck, age, and type. Be sure not to over tighten the fasteners and strip the threads.

INSTALLATION

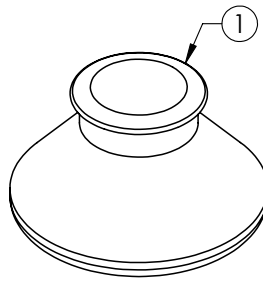
SIMPLESEAL

INSTALLATION GUIDE



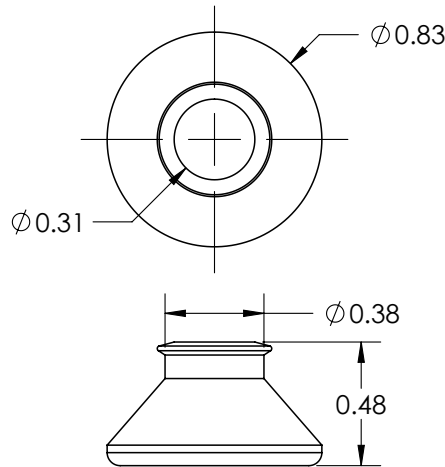
CUT SHEET: SIMPLESEAL EPDM BUSHING (50)

PART NUMBER	DESCRIPTION
3016015	SIMPLESEAL EPDM BUSHING (50)



ITEM NO.	DESCRIPTION
1	SIMPLE SEAL

1) SIMPLE SEAL



Material	Rubber
Finish	Black

REV.- CS1

LINE DRAWINGS

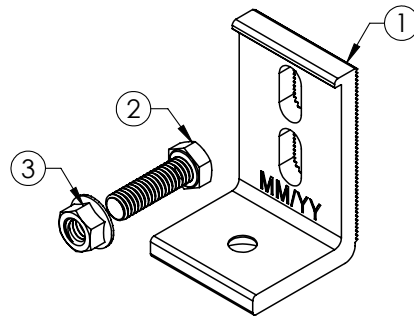
SIMPLESEAL

INSTALLATION GUIDE



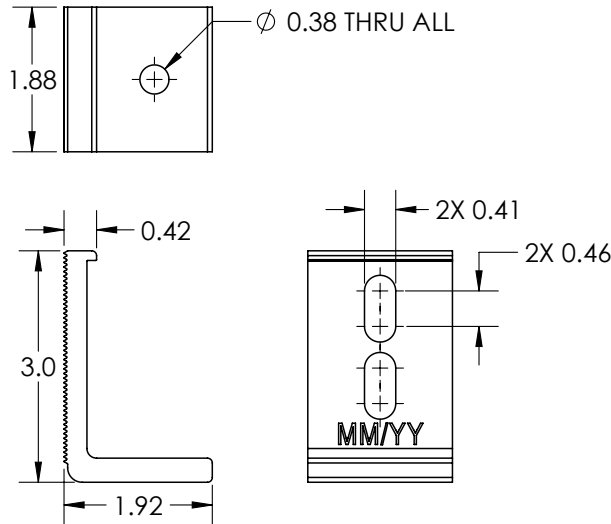
CUT SHEET: L-FOOT L-102 BLK 3"

PART NUMBER	DESCRIPTION
3011015	L-FOOT L-102 BLK 3"



ITEM NO.	DESCRIPTION
1	L-102-3 ANOD BLK
2	SS HEX HD CAP SCREW, FULL THD, 3/8-16 UNC X 1.25 LONG
3	SS SERRATED FLANGE LOCK NUT, 3/8-16

1) L-102-3 ANOD BLK



Material	Aluminum
Finish	Black

REV.- CS1

LINE DRAWINGS

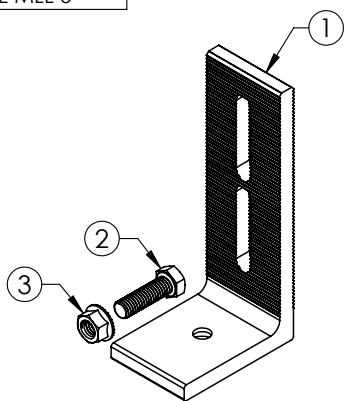
SIMPLESEAL

INSTALLATION GUIDE



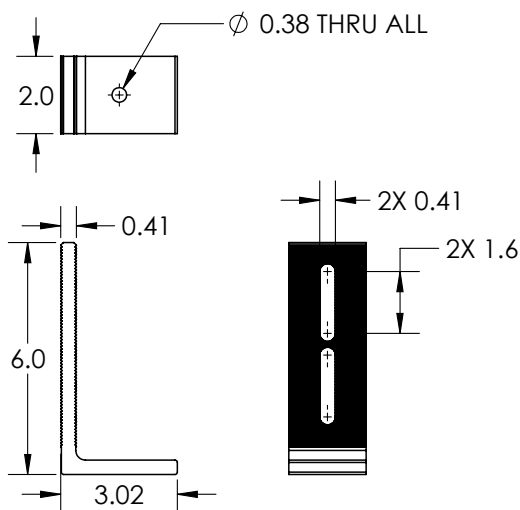
CUT SHEET: L-FOOT L-102 MLL 6"

PART NUMBER	DESCRIPTION
3011016	L-FOOT L-102 MLL 6"



ITEM NO.	DESCRIPTION
1	L-102-6
2	SS HEX HD CAP SCREW, FULL THD, 3/8-16 UNC X 1.25 LONG
3	SS SERRATED FLANGE LOCK NUT, 3/8-16

1) L-102-6



Material	Aluminum
Finish	Mill

REV.- CS1

LINE DRAWINGS

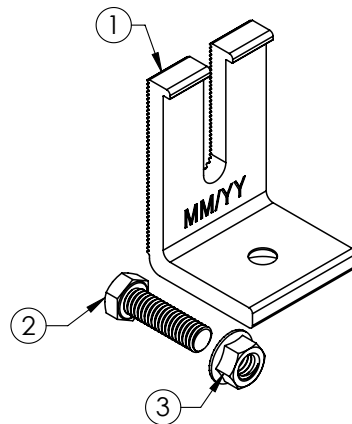
SIMPLESEAL

INSTALLATION GUIDE



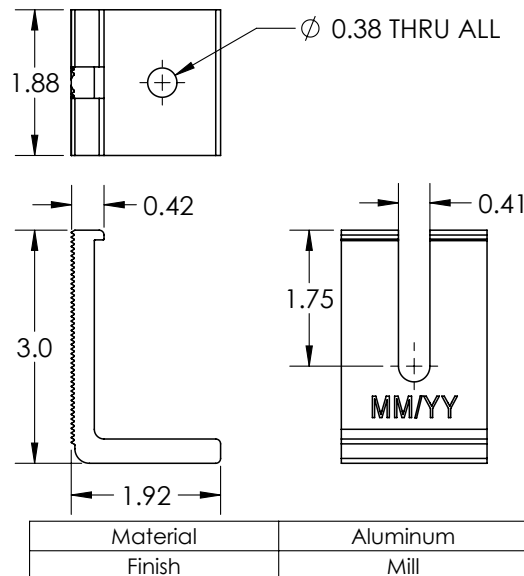
CUT SHEET: L-FOOT SCL-101 MLL 3"

PART NUMBER	DESCRIPTION
3011017	L-FOOT SCL-101 MLL 3"



ITEM NO.	DESCRIPTION
1	L FOOT W/ STANDARD DIMPLE AND OPEN SLOT, 3 IN TALL MLL
2	SS HEX HD CAP SCREW, FULL THD, 3/8-16 UNC X 1.25 LONG
3	SS SERRATED FLANGE LOCK NUT, 3/8-16

1) L FOOT W/ STANDARD DIMPLE AND OPEN SLOT, 3 IN TALL MLL



REV.- CS1

LINE DRAWINGS

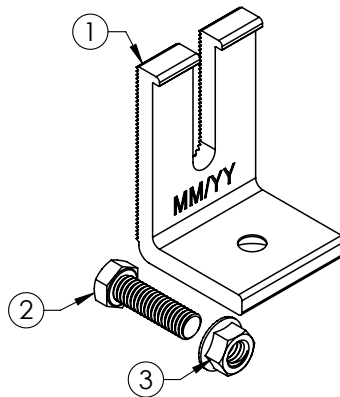
SIMPLESEAL

INSTALLATION GUIDE



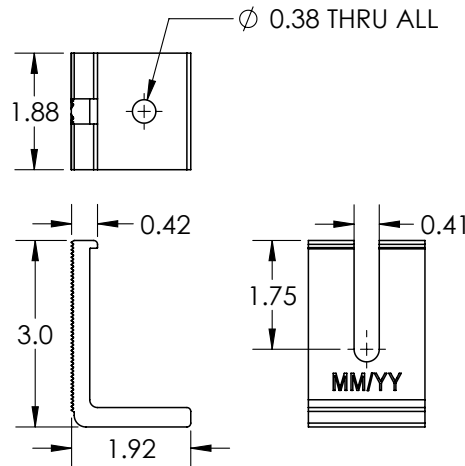
CUT SHEET: L-FOOT SCL-101 BLK 3"

PART NUMBER	DESCRIPTION
3011018	L-FOOT SCL-101 BLK 3"



ITEM NO.	DESCRIPTION
1	L FOOT W/ STANDARD DIMPLE AND OPEN SLOT, 3 IN TALL BLK
2	SS HEX HD CAP SCREW, FULL THD, 3/8-16 UNC X 1.25 LONG
3	SS SERRATED FLANGE LOCK NUT, 3/8-16

1) L FOOT W/ STANDARD DIMPLE AND OPEN SLOT, 3 IN TALL BLK



Material	Aluminum
Finish	Mill

REV.- CS1

LINE DRAWINGS

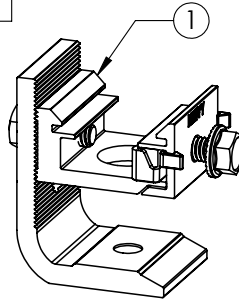
SIMPLESEAL

INSTALLATION GUIDE



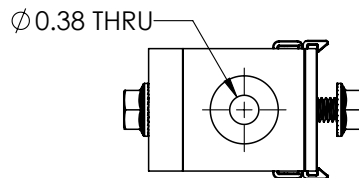
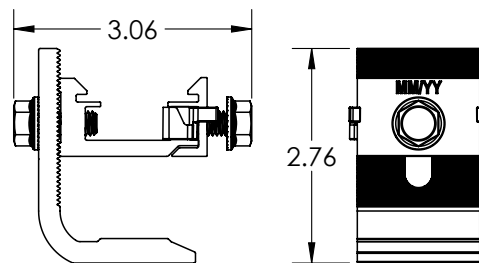
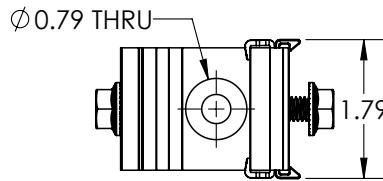
CUT SHEET: CF UNIV L-FOOT MLL 3"

PART NUMBER	DESCRIPTION
2012022	CF UNIV L-FOOT MLL 3"



ITEM NO.	DESCRIPTION
1	CLICKFIT L FOOT ASSEMBLY

1) CLICKFIT L FOOT ASSEMBLY



Material	Aluminum/Stainless Steel
Finish	Mill

REV.- CS1

LINE DRAWINGS

SIMPLESEAL

INSTALLATION GUIDE



SYSTEM COMPONENTS

1. **Sim Seal Bushing:**

Consists of (1) EPDM Rubber cone-shaped bushing.

2. **Aluminum Compression Bracket:**

Compatible with a variety of EcoFasten compression brackets. EcoFasten compression brackets are made out 6000 series aluminum with options available for mill or black finishes depending on the bracket.

3. **Recommended Fasteners**

5/16"x4" lag bolts.

4. **Recommended Sealant:**

If required by roof manufacturer, sealant shall be roof manufacturer approved.

DELIVERY / STORAGE / HANDLING

Inspect material upon delivery. Notify manufacturer within 24 hours of any missing or defective items. Keep material dry, covered and off the ground until installed.

PATENTS

Visit www.efpatents.com for patent information.

SIMPLESEAL

INSTALLATION GUIDE



DESIGN REQUIREMENTS

1. Bracket spacing to be recommended by project engineer.
2. Fasten attachment to roof using 1 5/16" lag bolt.
3. It is important to design new structures or assess existing structures to make sure they withstand retained loads.

EXAMINATION

1. Substrate: Inspect structure on which brackets are to be installed and verify that it will withstand any additional loading that may be incurred.
2. Notify General Contractor of any deficiencies before installing EcoFasten Solar brackets.
3. Verify that roofing material has been installed correctly prior to installing solar attachment bracket.

INSTALLATION

Comply with architectural drawings and project engineer's recommendation for location of system. Comply with Manufacturer's written installation instructions for installation and layout.

SPECIFICATIONS