

# 44-R<sup>™</sup>

**THE DIRECT-TO-DECK SOLUTION  
FOR A VARIETY OF ROOF TYPES**

## INSTALLATION GUIDE

**REVISION:** 08/02/22

**VERSION:** V2.3

# 44-R

## INSTALLATION GUIDE



**EcoFasten**<sup>®</sup>  
For Installers. By Installers.

*CLICKING THE PAGE NAME WILL TAKE YOU TO THAT PAGE*

[TABLE OF CONTENTS](#) [PAGE 01](#)

[FEATURES & BENEFITS](#) [PAGE 02](#)

[COMPONENTS](#) [PAGE 03](#)

[INSTALLATION](#) [PAGE 04](#)

[LINE DRAWINGS](#) [PAGE 06](#)

[SPECIFICATIONS](#) [PAGE 16](#)

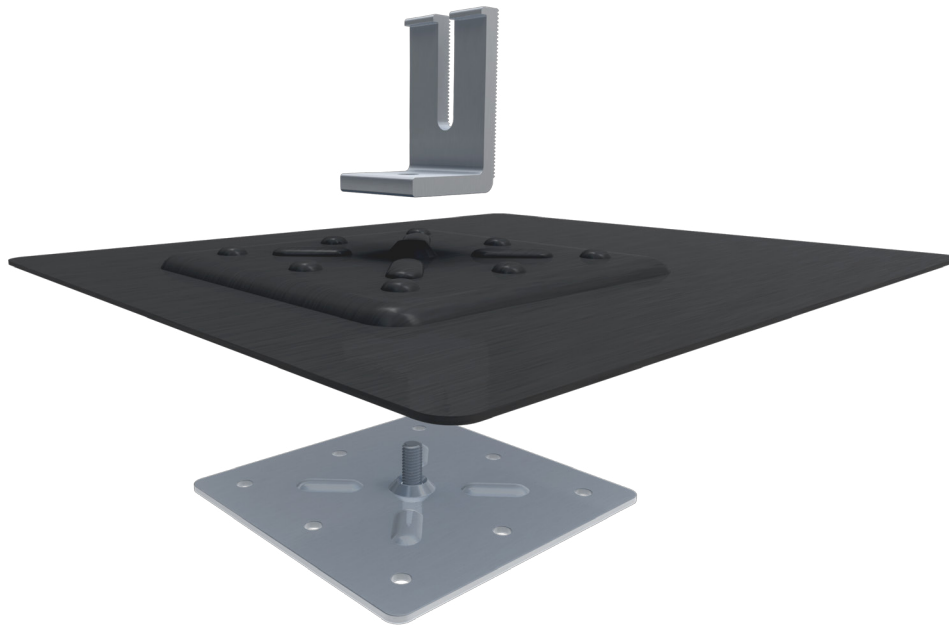
**TABLE OF CONTENTS**

# 44-R

## INSTALLATION GUIDE



**EcoFasten**<sup>®</sup>  
For Installers. By Installers.



## 44-R

The base plate of the 44-R utilizes eight fasteners, allowing the system to be installed directly to the roof deck without engaging a rafter. The 44-R System can be used on low slope, flat, and SIPs (structural insulated panel) roofs, and with a variety of compression bracket options. 44-R is a customizable solution for new or existing roofs. Extensively tested for pullout and shear.

## FEATURES

- Patented Watertight Technology
- Compatible with a variety of compression brackets
- Wide footprint for load dispersal
- Direct-to-deck attachment

FEATURES + BENEFITS

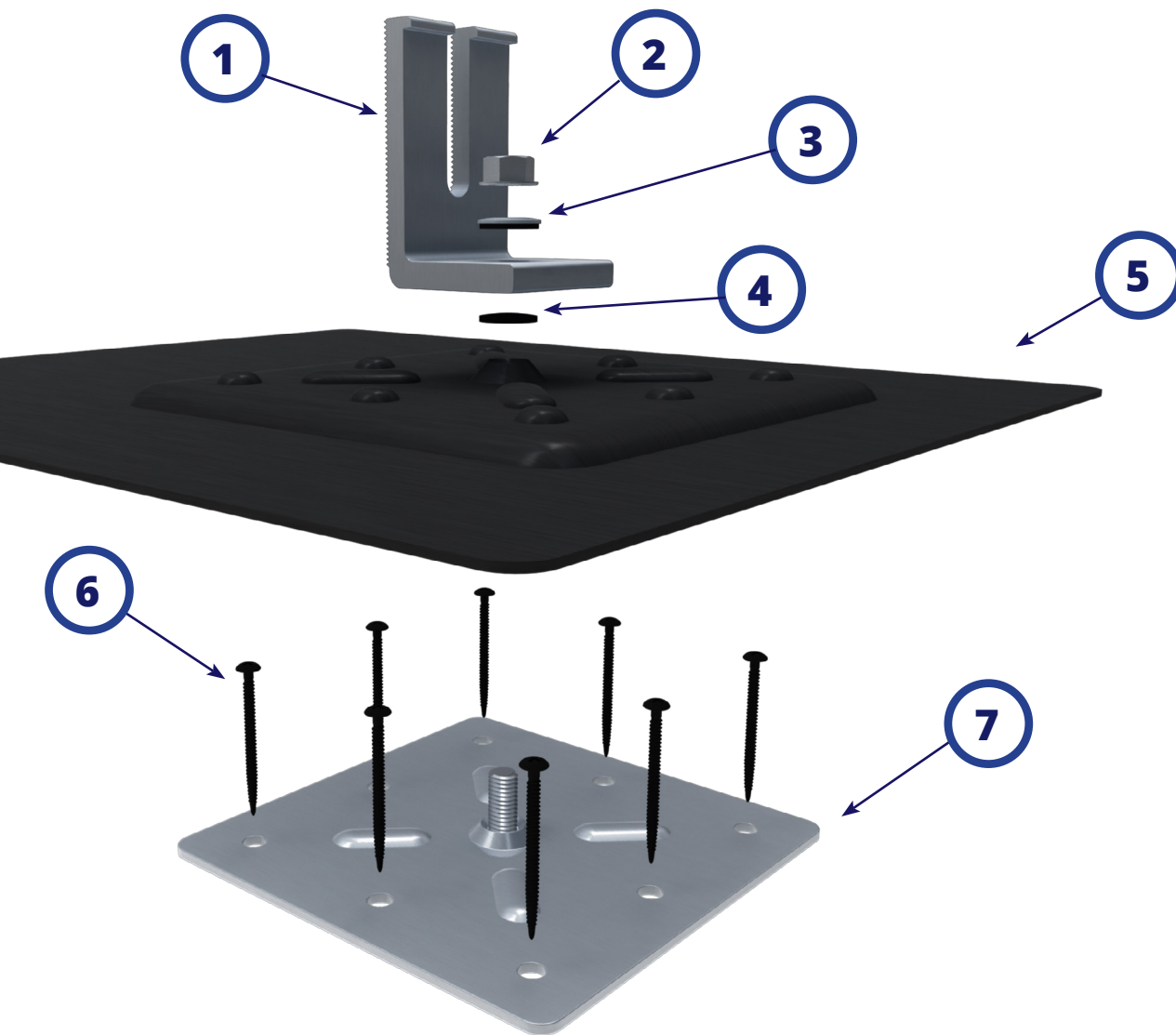
# 44-R

## INSTALLATION GUIDE



**EcoFasten**<sup>®</sup>  
For Installers. By Installers.

## SYSTEM COMPONENTS



1. L-FOOT SCL-101 MLL 3"  
(OTHER OPTIONS AVAILABLE)
2. 3/8" SERRATED FLANGE NUT
3. 3/8" EPDM BONDED WASHER
4. EPDM SEALING WASHER

5. 44-R FLASHING AL BLK 12X14"
6. #15-13 SELF DRILLING FASTENER (8X)
7. 44-R BASE SS 6X6"

COMPONENTS

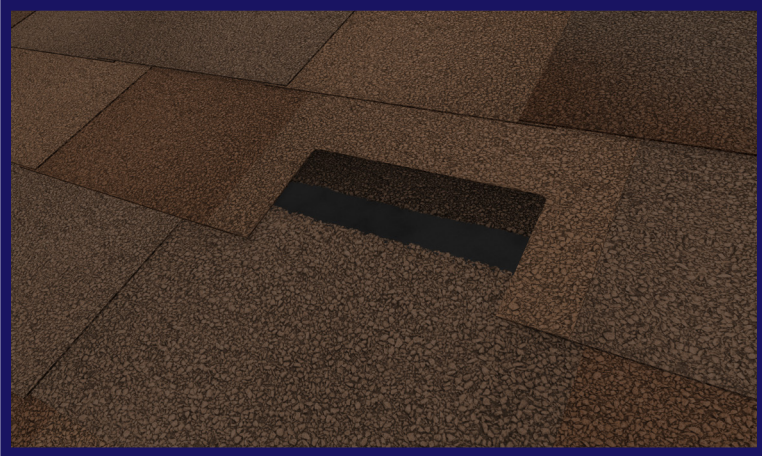
# 44-R

## INSTALLATION GUIDE

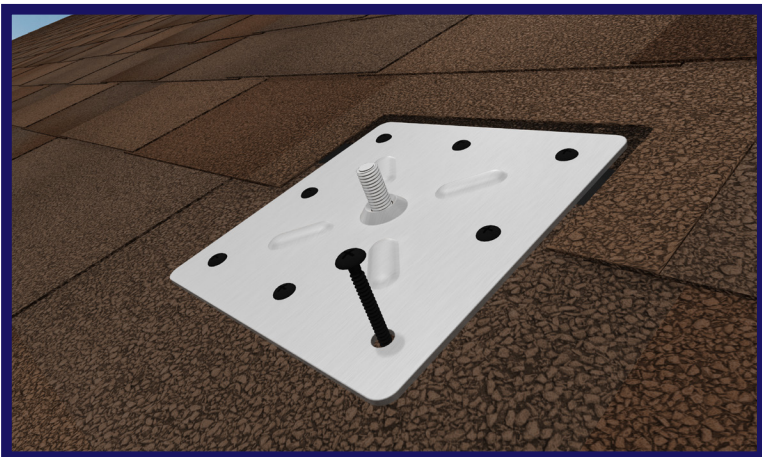


**EcoFasten**<sup>®</sup>  
For Installers. By Installers.

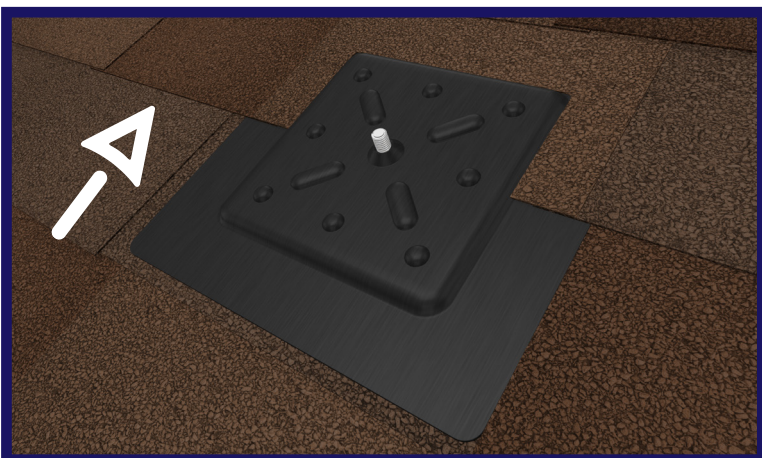
## INSTALLING 44-R



Locate and mark the location to which the base plate is to be attached. Cut the up-slope shingle the minimal amount needed to install base plate. This will ensure the flashing does not overhang the course below, protect the sides of the base plate, and ensure the best watertight protection for your installation.



Attach the base plate to the roof. All fastener holes should be used. Fasteners securing to the roof sheathing should be a minimum of 2" long.



Slide the flashing over the base plate and through the stud. The flashing should be placed under the course of shingles that was cut in Step #1. The down-slope edge of the flashing should be approximately even with the bottom of the shingle. The flashing should not overhang the down-slope shingle more than 1".

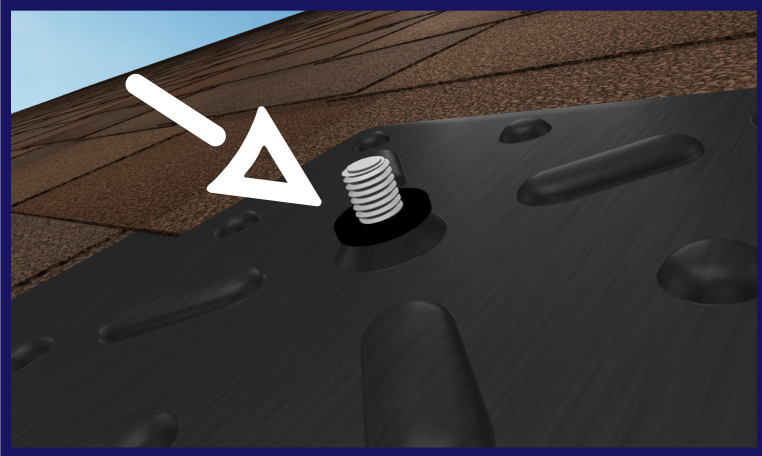
# 44-R

## INSTALLATION GUIDE

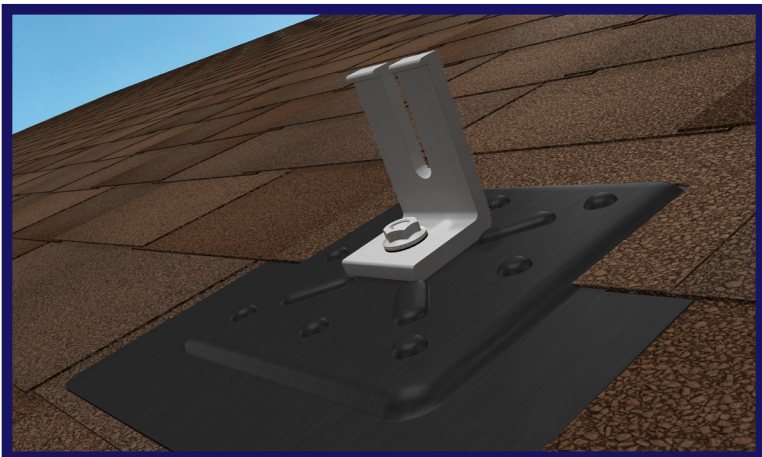


**EcoFasten**<sup>®</sup>  
For Installers. By Installers.

## INSTALLING 44-R



After the flashing is in place, install the EPDM washer over the stud.



Place an EcoFasten bracket onto the stud, followed by the bonded sealing washer with the rubber side facing down. Secure the bracket using the serrated flange nut by tightening it to 50 inch-pounds.

INSTALLATION

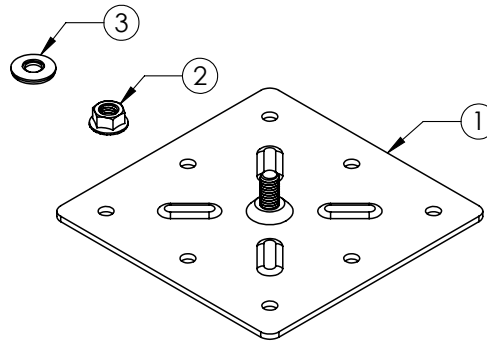
# 44-R

## INSTALLATION GUIDE



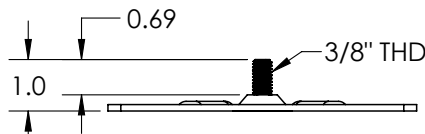
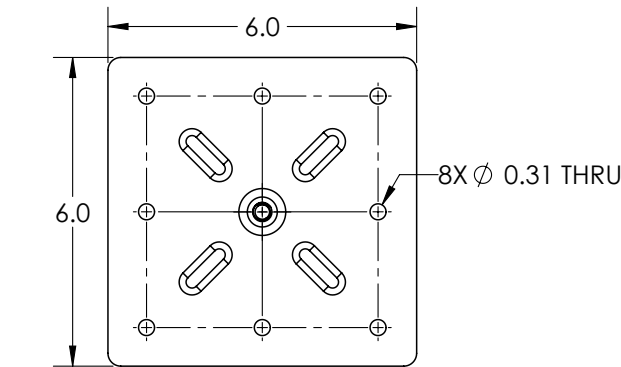
### CUT SHEET: 44-R BASE SS 6X6"

PART NUMBER	DESCRIPTION
3015013	44-R BASE SS 6X6"



ITEM NO.	DESCRIPTION
1	EF-44R-BASE-SS-NDD WELDMENT
2	SS SERRATED FLANGE LOCK NUT, 3/8-16
3	3/8 STAINLESS STEEL AND EPDM BONDED SEALING WASHER

1) EF-44R-BASE-SS-NDD WELDMENT



Material	Stainless Steel
Finish	Mill

REV.- CS1

LINE DRAWINGS

# 44-R

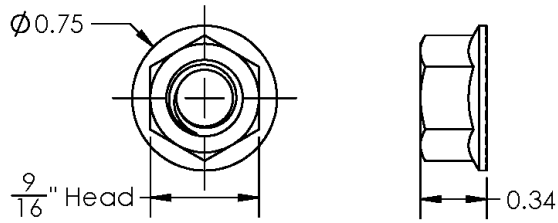
## INSTALLATION GUIDE



**EcoFasten**<sup>®</sup>  
For Installers. By Installers.

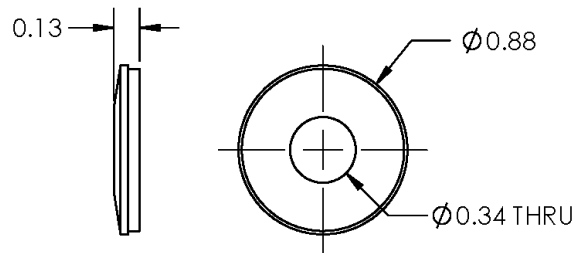
### CUT SHEET: 44-R BASE SS 6X6"

2) SS SERRATED FLANGE LOCK NUT, 3/8-16



Material	Stainless Steel
Finish	Mill

3) 3/8 STAINLESS STEEL AND EPDM BONDED SEALING WASHER



Material	Stainless Steel/EPDM
Finish	Mill

REV.- CS1

LINE DRAWINGS



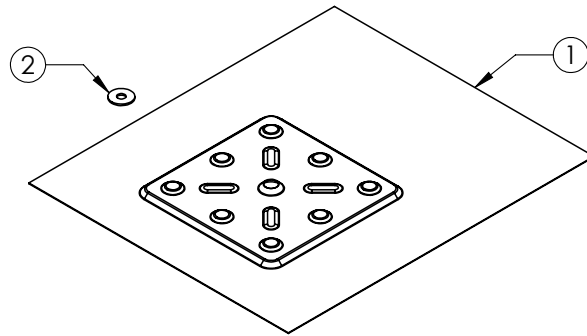
# 44-R

## INSTALLATION GUIDE



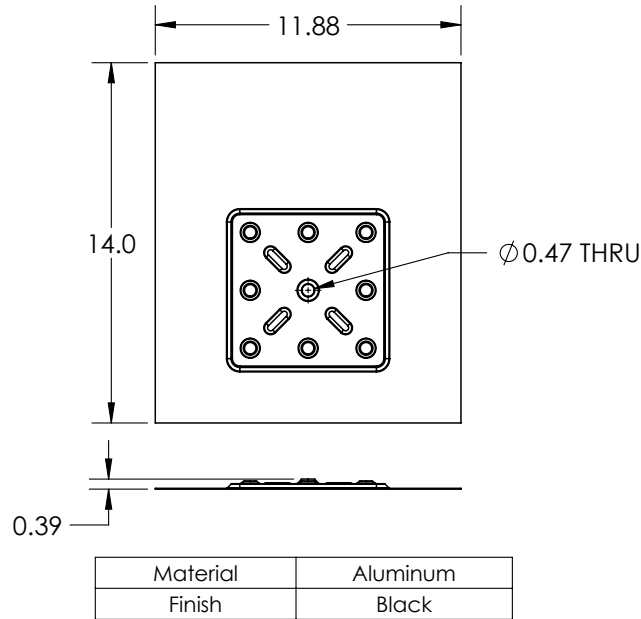
### CUT SHEET: 44-R FLASHING AL BLK 12X14"

PART NUMBER	DESCRIPTION
3015014	44-R FLASHING AL BLK 12X14"



ITEM NO.	DESCRIPTION
1	EFL-44R-1214-BLK FLASHING
2	EPDM SEALING WASHER

1) EFL-44R-1214-BLK FLASHING



REV.- CS1

# 44-R

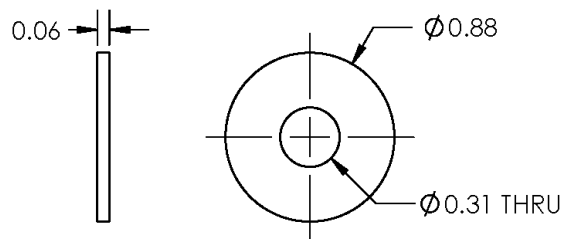
## INSTALLATION GUIDE



**EcoFasten**<sup>®</sup>  
For Installers. By Installers.

### CUT SHEET: 44-R FLASHING AL BLK 12X14"

#### 2) EPDM SEALING WASHER



Material	EPDM
Finish	Black

REV.- CS1

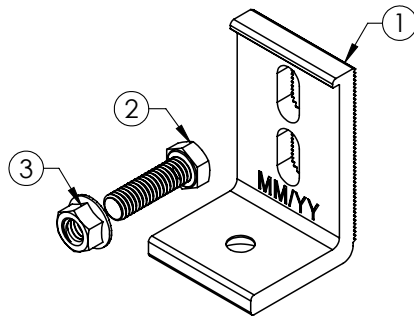
# 44-R

## INSTALLATION GUIDE



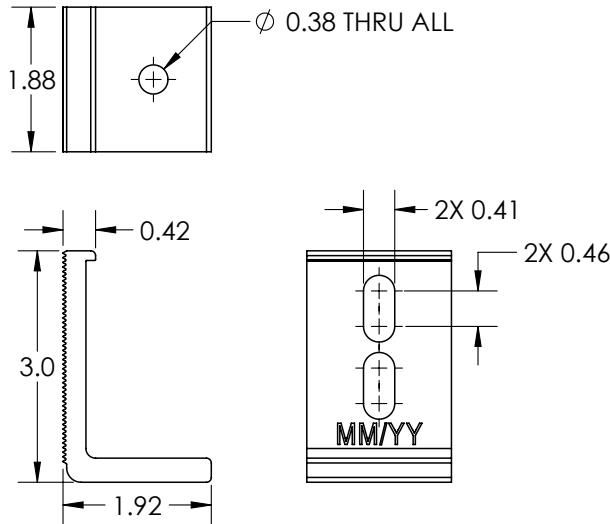
### CUT SHEET: L-FOOT L-102 BLK 3"

PART NUMBER	DESCRIPTION
3011015	L-FOOT L-102 BLK 3"



ITEM NO.	DESCRIPTION
1	L-102-3 ANOD BLK
2	SS HEX HD CAP SCREW, FULL THD, 3/8-16 UNC X 1.25 LONG
3	SS SERRATED FLANGE LOCK NUT, 3/8-16

1) L-102-3 ANOD BLK



Material	Aluminum
Finish	Black

REV.- CS1

LINE DRAWINGS

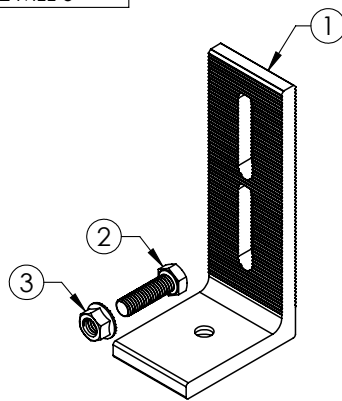
# 44-R

## INSTALLATION GUIDE



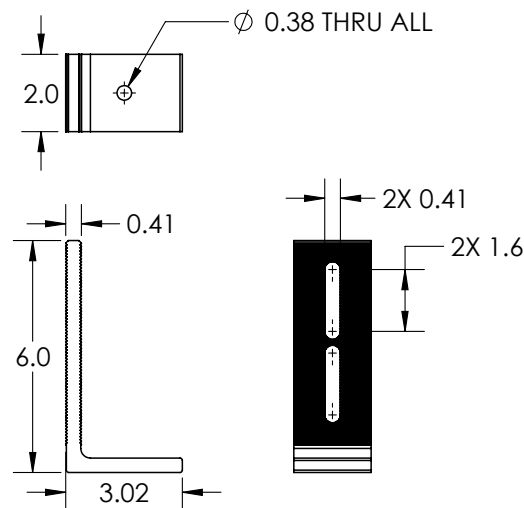
### CUT SHEET: L-FOOT L-102 MLL 6"

PART NUMBER	DESCRIPTION
3011016	L-FOOT L-102 MLL 6"



ITEM NO.	DESCRIPTION
1	L-102-6
2	SS HEX HD CAP SCREW, FULL THD, 3/8-16 UNC X 1.25 LONG
3	SS SERRATED FLANGE LOCK NUT, 3/8-16

1) L-102-6



Material	Aluminum
Finish	Mill

REV.- CS1

LINE DRAWINGS

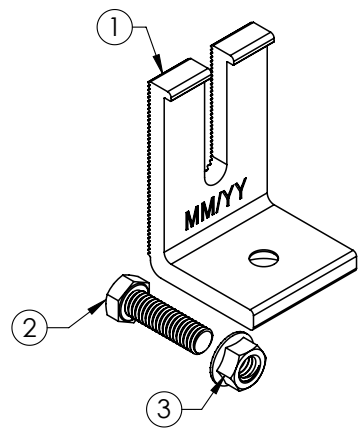
# 44-R

## INSTALLATION GUIDE



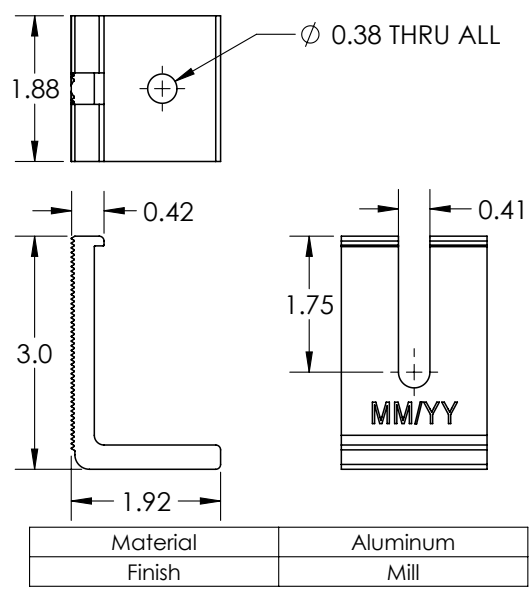
### CUT SHEET: L-FOOT SCL-101 MLL 3"

PART NUMBER	DESCRIPTION
3011017	L-FOOT SCL-101 MLL 3"



ITEM NO.	DESCRIPTION
1	L FOOT W/ STANDARD DIMPLE AND OPEN SLOT, 3 IN TALL MLL
2	SS HEX HD CAP SCREW, FULL THD, 3/8-16 UNC X 1.25 LONG
3	SS SERRATED FLANGE LOCK NUT, 3/8-16

1) L FOOT W/ STANDARD DIMPLE AND OPEN SLOT, 3 IN TALL MLL



REV.- CS1

LINE DRAWINGS

# 44-R

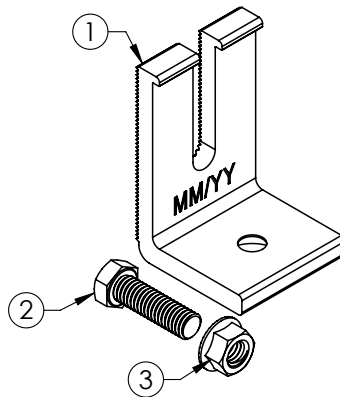
## INSTALLATION GUIDE



**EcoFasten**<sup>®</sup>  
For Installers. By Installers.

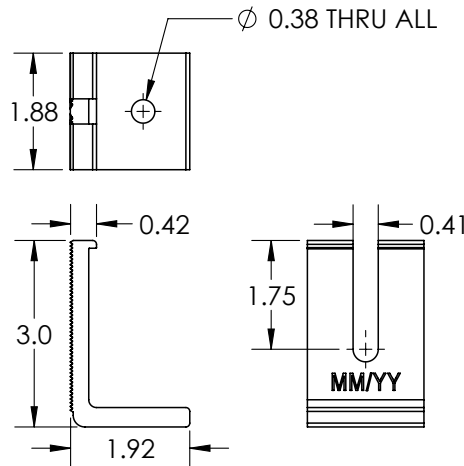
### CUT SHEET: L-FOOT SCL-101 BLK 3"

PART NUMBER	DESCRIPTION
3011018	L-FOOT SCL-101 BLK 3"



ITEM NO.	DESCRIPTION
1	L FOOT W/ STANDARD DIMPLE AND OPEN SLOT, 3 IN TALL BLK
2	SS HEX HD CAP SCREW, FULL THD, 3/8-16 UNC X 1.25 LONG
3	SS SERRATED FLANGE LOCK NUT, 3/8-16

1) L FOOT W/ STANDARD DIMPLE AND OPEN SLOT, 3 IN TALL BLK



Material	Aluminum
Finish	Mill

REV.- CS1

LINE DRAWINGS

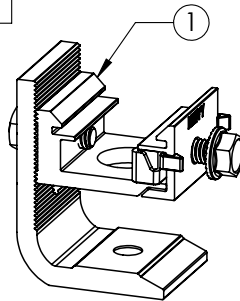
# 44-R

## INSTALLATION GUIDE



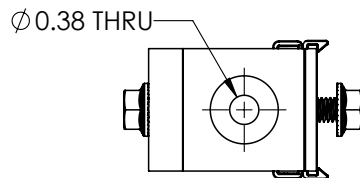
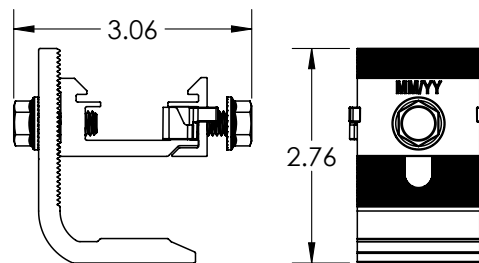
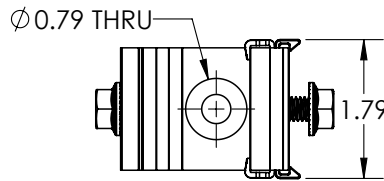
### CUT SHEET: CF UNIV L-FOOT MLL 3"

PART NUMBER	DESCRIPTION
2012022	CF UNIV L-FOOT MLL 3"



ITEM NO.	DESCRIPTION
1	CLICKFIT L FOOT ASSEMBLY

1) CLICKFIT L FOOT ASSEMBLY



Material	Aluminum/Stainless Steel
Finish	Mill

REV.- CS1

LINE DRAWINGS

# 44-R

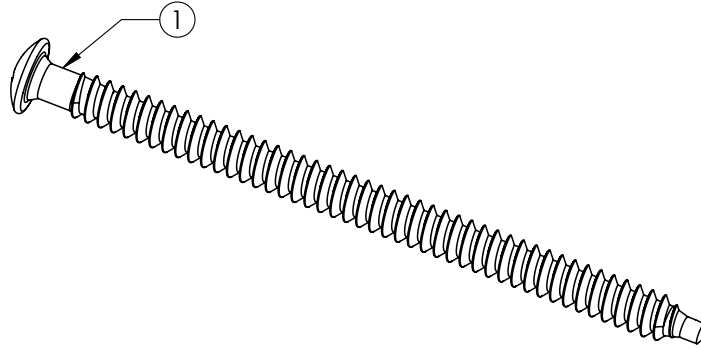
## INSTALLATION GUIDE



**EcoFasten**<sup>®</sup>  
For Installers. By Installers.

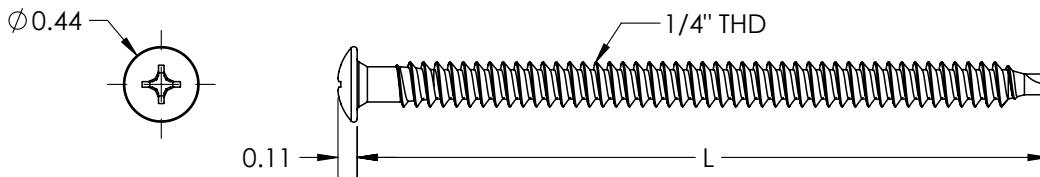
### DECK SCREW SS

PART NUMBER	DESCRIPTION	LENGTH (L)
3016010	DECK SCREW SS #15X2"	2"
3016011	DECK SCREW SS #15X3"	3"
3016012	DECK SCREW SS #15X4"	4"



ITEM NO.	DESCRIPTION
1	ROOFING SCREW, DRILL POINT, BLACK

1) ROOFING SCREW, DRILL POINT, BLACK



Material	Steel
Finish	Black

REV.- CS1

LINE DRAWINGS



# 44-R

## INSTALLATION GUIDE



**EcoFasten**<sup>®</sup>  
For Installers. By Installers.

### SYSTEM COMPONENTS

1. **44-R BASE SS 6X6" - Base Plate and Hardware:**

Consists of (1) stainless steel base plate with (1) integrated stainless steel stud, (1) stainless steel serrated flange nut, (1) EPDM sealing washer, (1) stainless steel / EPDM bonded sealing washer. Base Plate is 11 gauge 304 stainless steel with one 3/8"-304 stainless steel screw welded into embossed countersink.

2. **44-R FLASHING AL BLK 12X14" - Aluminum Flashing:**

Black finish (Kynar painted) .032 gauge aluminum, embossed.

3. **Aluminum Compression Bracket:**

Compatible with a variety of EcoFasten compression brackets. EcoFasten compression brackets are made out 6000 series aluminum with options available for mill or black finishes depending on the bracket.

4. **Recommended Fasteners**

Self-drilling #15-13 roofing screws are available from EcoFasten in 2", 3" and 4" lengths.

5. **Recommended Sealant:**

If required by roof manufacturer, sealant shall be roof manufacturer approved.

### DELIVERY / STORAGE / HANDLING

Inspect material upon delivery. Notify manufacturer within 24 hours of any missing or defective items. Keep material dry, covered and off the ground until installed.

# 44-R

## INSTALLATION GUIDE



### PATENTS

Visit [www.efpatents.com](http://www.efpatents.com) for patent information.

### DESIGN REQUIREMENTS

1. Bracket spacing to be recommended by project engineer.
2. Install a minimum of eight fasteners per base plate.
3. It is important to design new structures or assess existing structures to make sure they withstand retained loads.

### EXAMINATION

1. Substrate: Inspect structure on which brackets are to be installed and verify that it will withstand any additional loading that may be incurred.
2. Notify General Contractor of any deficiencies before installing EcoFasten Solar brackets.
3. Verify that roofing material has been installed correctly prior to installing solar attachment bracket.

### INSTALLATION

Comply with architectural drawings and project engineer's recommendation for location of system. Comply with Manufacturer's written installation instructions for installation and layout.