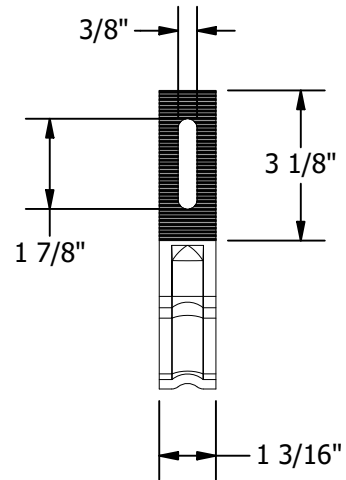
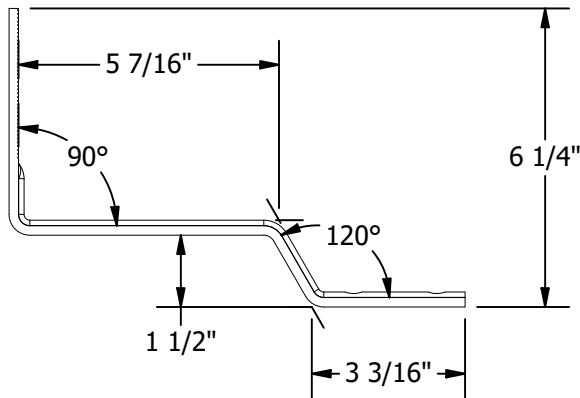
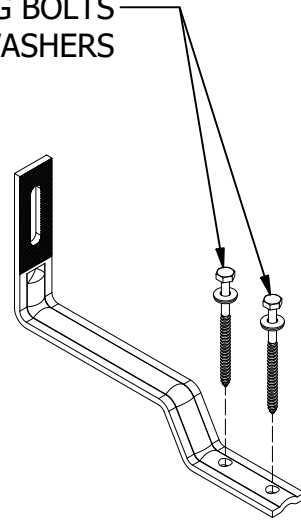
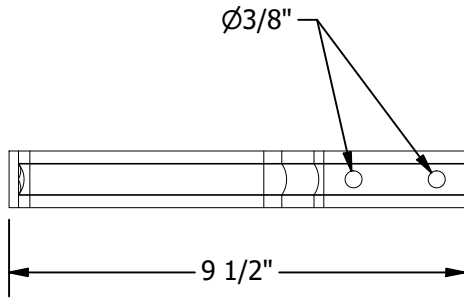


NOTES:

1. INSTALLATION TO BE COMPLETED IN ACCORDANCE WITH SOLARHOOKS INSTALLATION GUIDE.
2. PACKAGING: KITS OF 30

2X - .25 X 3.5" SS HEX HEAD LAG BOLTS
W/ SS EPDM BONDED WASHERS



PART # TABLE

P/N	DESCRIPTION
004AT1H	SOLARHOOK FLAT TILE



1411 BROADWAY BLVD. NE
ALBUQUERQUE, NM 87102 USA
PHONE: 505.242.6411
WWW.UNIRAC.COM

PRODUCT LINE:	SOLARHOOK
DRAWING TYPE:	PART DETAIL
DESCRIPTION:	FLAT TILE
REVISION DATE:	6/28/2019

DRAWING NOT TO SCALE
ALL DIMENSIONS ARE
NOMINAL

PRODUCT PROTECTED BY
ONE OR MORE US PATENTS
LEGAL NOTICE

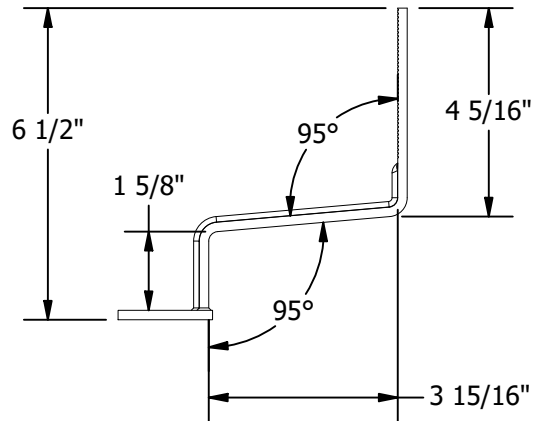
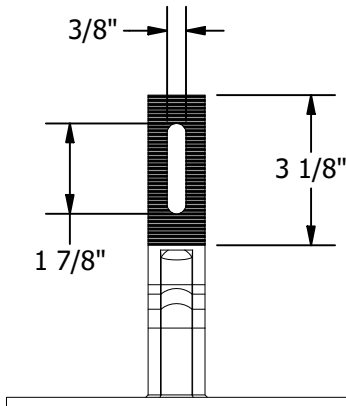
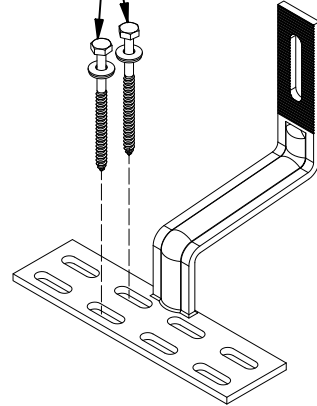
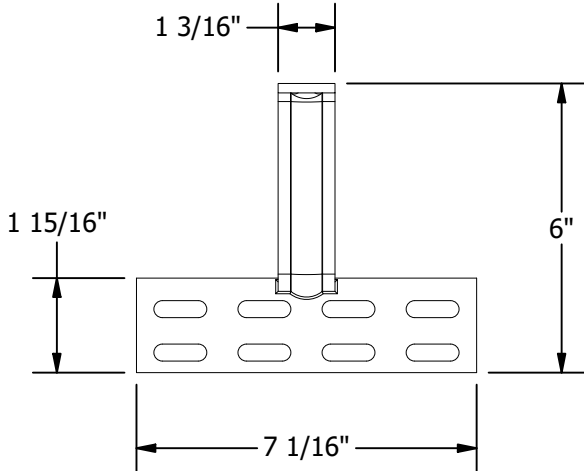
SH2-P01

SHEET

NOTES:

1. INSTALLATION TO BE COMPLETED IN ACCORDANCE WITH SOLARHOOKS INSTALLATION GUIDE.
2. PACKAGING: KITS OF 20

2X - .25 X 3.5" SS HEX HEAD LAG BOLTS
W/ SS EPDM BONDED WASHERS



PART # TABLE	
P/N	DESCRIPTION
004CT1H	SOLARHOOK SPANISH 7" BASE



1411 BROADWAY BLVD. NE
ALBUQUERQUE, NM 87102 USA
PHONE: 505.242.6411
WWW.UNIRAC.COM

PRODUCT LINE:	SOLARHOOK
DRAWING TYPE:	PART DETAIL
DESCRIPTION:	SPANISH 7" BASE
REVISION DATE:	11/21/2019

DRAWING NOT TO SCALE
ALL DIMENSIONS ARE
NOMINAL

PRODUCT PROTECTED BY
ONE OR MORE US PATENTS

LEGAL NOTICE

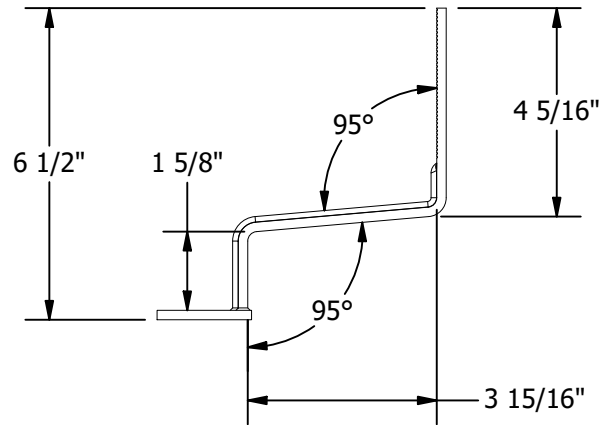
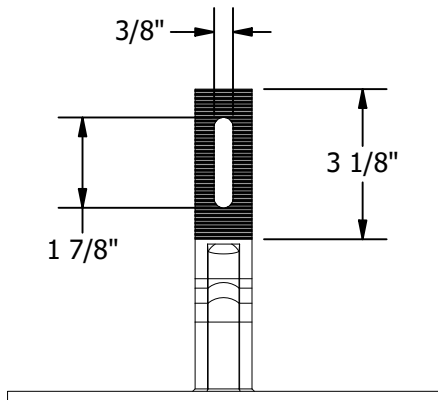
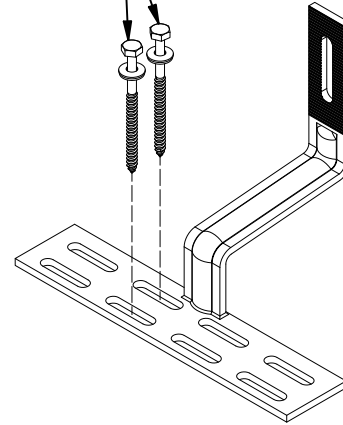
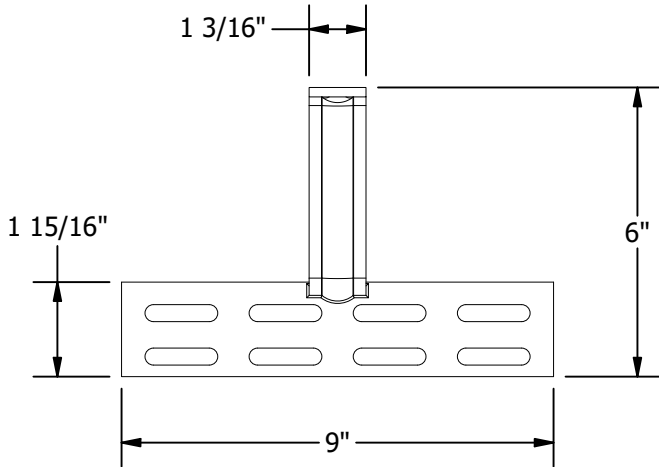
SH2-P02

SHEET

NOTES:

1. INSTALLATION TO BE COMPLETED IN ACCORDANCE WITH SOLARHOOKS INSTALLATION GUIDE.
2. PACKAGING: KITS OF 20

2X - .25 X 3.5" SS HEX HEAD LAG BOLTS
W/ SS EPDM BONDED WASHERS



PART # TABLE	
P/N	DESCRIPTION
004CT2H	SOLARHOOK SPANISH 9" BASE



1411 BROADWAY BLVD. NE
ALBUQUERQUE, NM 87102 USA
PHONE: 505.242.6411
WWW.UNIRAC.COM

PRODUCT LINE:	SOLARHOOK
DRAWING TYPE:	PART DETAIL
DESCRIPTION:	SPANISH 9" BASE
REVISION DATE:	11/21/2019

DRAWING NOT TO SCALE
ALL DIMENSIONS ARE
NOMINAL

PRODUCT PROTECTED BY
ONE OR MORE US PATENTS

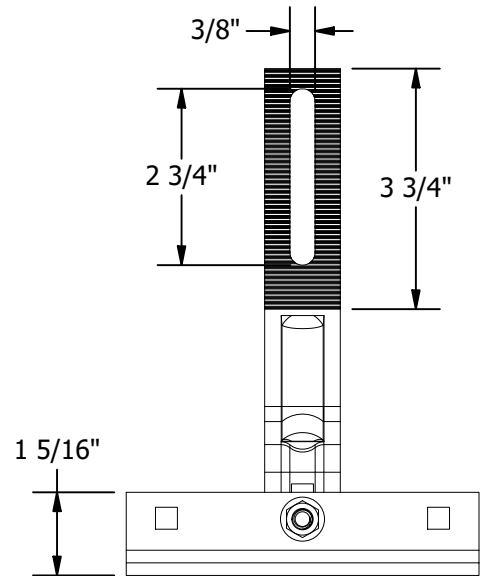
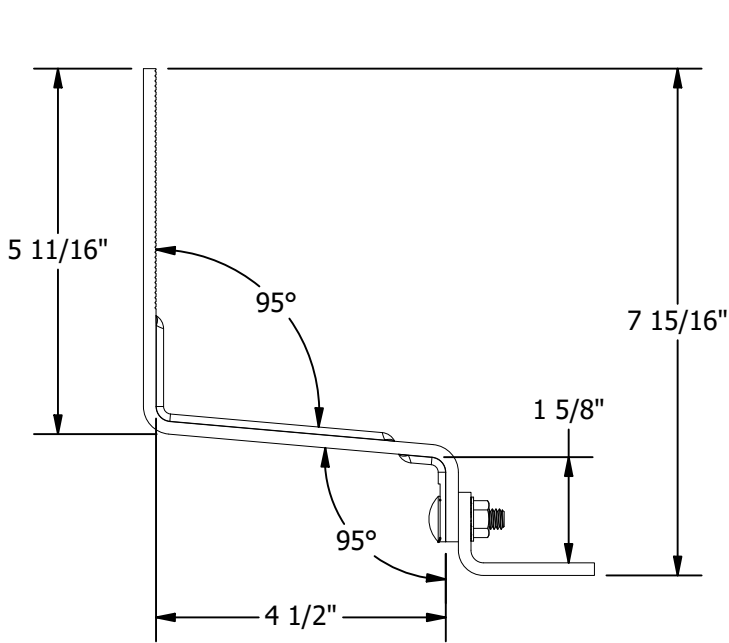
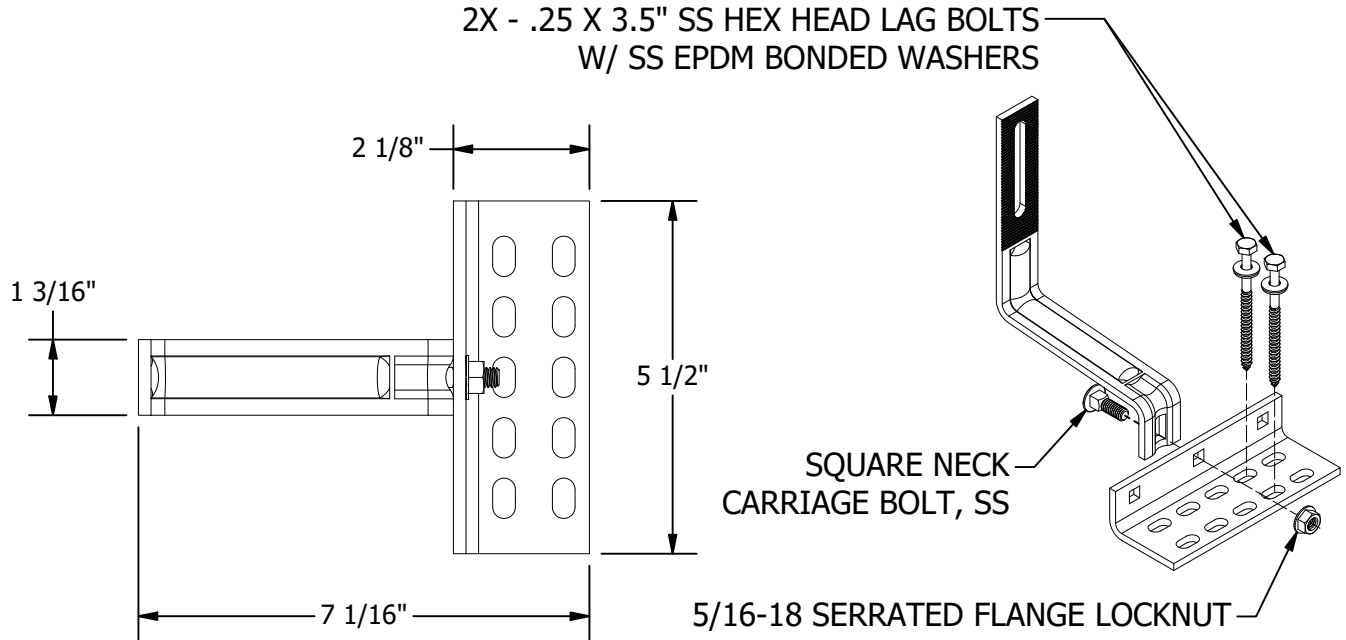
LEGAL NOTICE

SH2-P03

SHEET

NOTES:

1. INSTALLATION TO BE COMPLETED IN ACCORDANCE WITH SOLARHOOKS INSTALLATION GUIDE.
2. PACKAGING: KITS OF 30



PART # TABLE	
P/N	DESCRIPTION
004CT5H	SOLARHOOK UNIVERSAL



1411 BROADWAY BLVD. NE
ALBUQUERQUE, NM 87102 USA
PHONE: 505.242.6411
WWW.UNIRAC.COM

PRODUCT LINE:	SOLARHOOK
DRAWING TYPE:	PART & ASSEMBLY
DESCRIPTION:	UNIVERSAL
REVISION DATE:	11/21/2019

DRAWING NOT TO SCALE
ALL DIMENSIONS ARE
NOMINAL

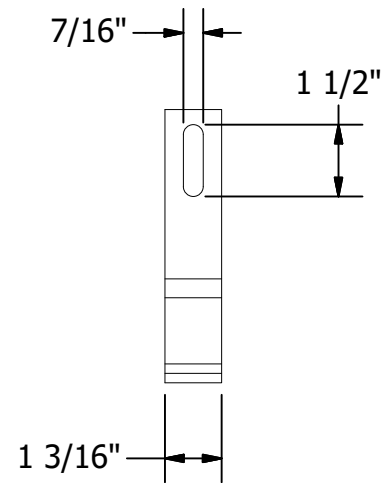
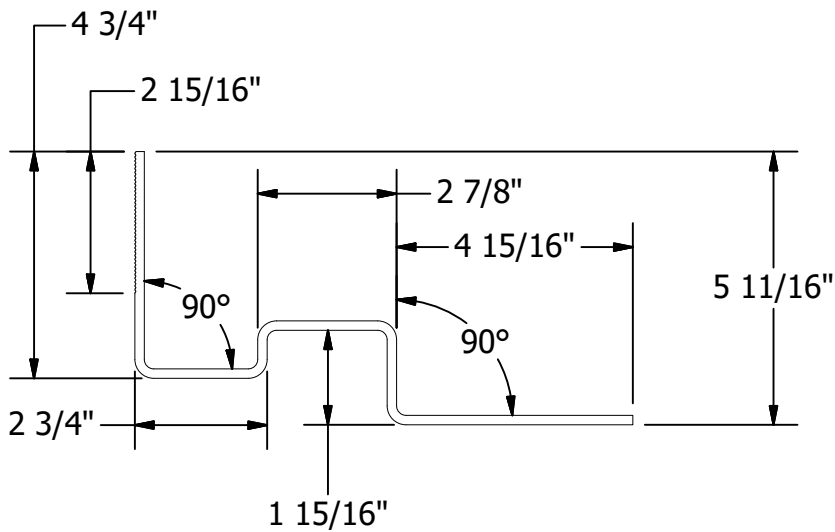
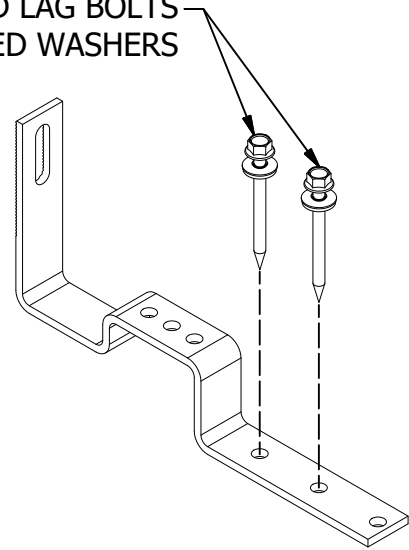
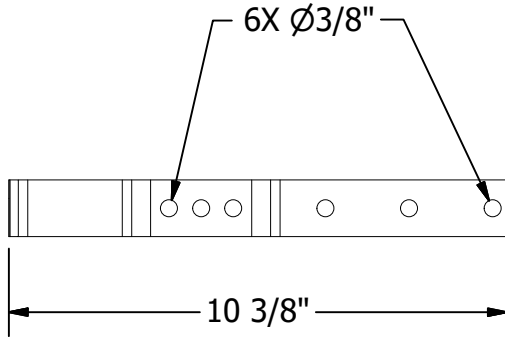
PRODUCT PROTECTED BY
ONE OR MORE US PATENTS
LEGAL NOTICE

SH2-P04
SHEET

NOTES:

1. INSTALLATION TO BE COMPLETED IN ACCORDANCE WITH SOLARHOOKS INSTALLATION GUIDE.
2. PACKAGING: KITS OF 30

2X - #14 X 3", 3/8" HEX HEAD LAG BOLTS
W/ EPDM BONDED WASHERS



PART # TABLE

P/N	DESCRIPTION
004ST1S	SOLARHOOK FLAT SIDE MT ST1



1411 BROADWAY BLVD. NE
ALBUQUERQUE, NM 87102 USA
PHONE: 505.242.6411
WWW.UNIRAC.COM

PRODUCT LINE:	SOLARHOOKS
DRAWING TYPE:	PART DETAIL
DESCRIPTION:	FLAT SIDE MT
REVISION DATE:	5/18/2018

DRAWING NOT TO SCALE
ALL DIMENSIONS ARE
NOMINAL

PRODUCT PROTECTED BY
ONE OR MORE US PATENTS
LEGAL NOTICE

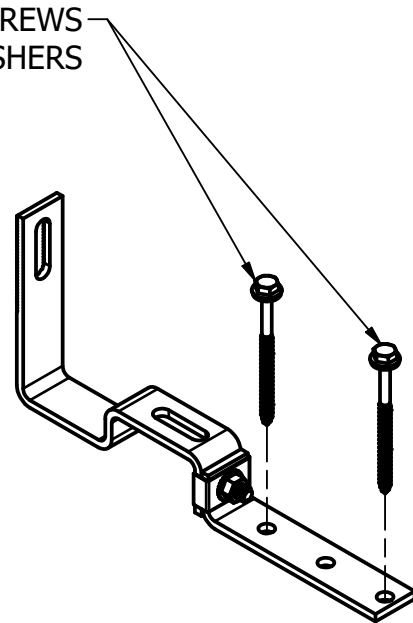
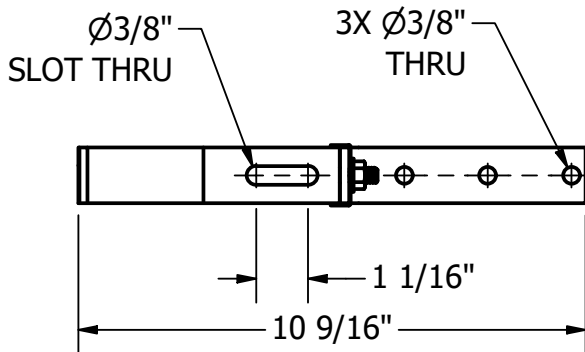
SH-P06

SHEET

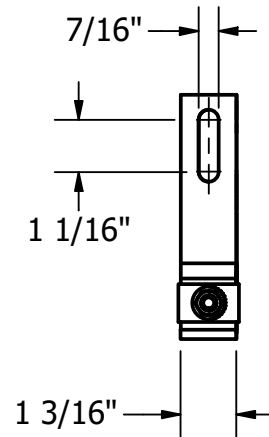
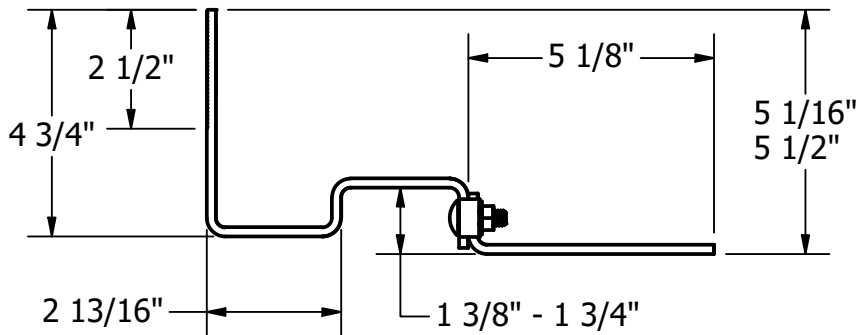
NOTES:

1. INSTALLATION TO BE COMPLETED IN ACCORDANCE WITH SOLARHOOKS INSTALLATION GUIDE.
2. PACKAGING: KITS OF 30

2X - .25 X 3.50 HEX HEAD LAG SCREWS
W/ EPDM BONDED WASHERS



KIT ASSEMBLY



PART # TABLE

P/N	DESCRIPTION
004AST1	SOLARHOOK ADJUSTABLE ST1 KIT



1411 BROADWAY BLVD. NE
ALBUQUERQUE, NM 87102 USA
PHONE: 505.242.6411
WWW.UNIRAC.COM

PRODUCT LINE:	SOLARHOOKS
DRAWING TYPE:	PART DETAIL
DESCRIPTION:	ADJ SIDE MT
REVISION DATE:	6/10/2019

DRAWING NOT TO SCALE
ALL DIMENSIONS ARE
NOMINAL

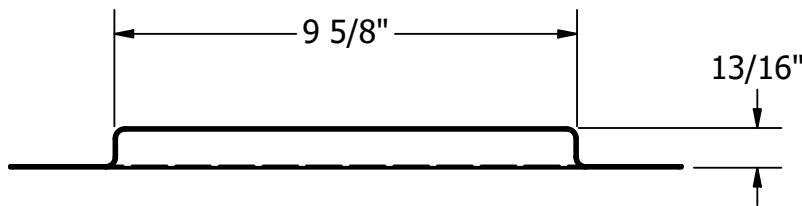
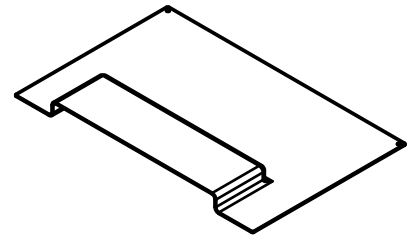
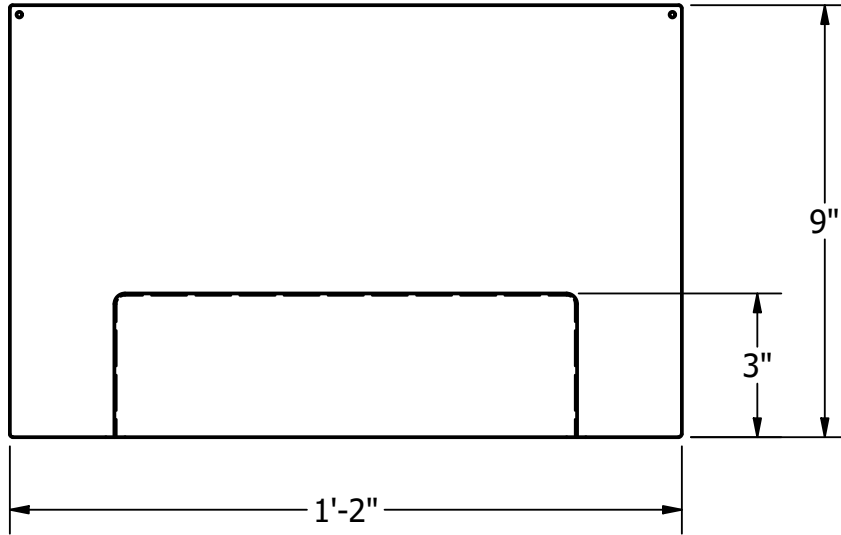
PRODUCT PROTECTED BY
ONE OR MORE US PATENTS
LEGAL NOTICE

SH-P10

SHEET

NOTES:

1. INSTALLATION TO BE COMPLETED IN ACCORDANCE WITH SOLARHOOKS INSTALLATION GUIDE.
2. PACKAGING: KITS OF 30



PART # TABLE	
P/N	DESCRIPTION
004FLCT	SOLARHOOK SPANISH FLCT



1411 BROADWAY BLVD. NE
 ALBUQUERQUE, NM 87102 USA
 PHONE: 505.242.6411
 WWW.UNIRAC.COM

PRODUCT LINE:	SOLARHOOKS
DRAWING TYPE:	PART DETAIL
DESCRIPTION:	SPANISH FLASHING
REVISION DATE:	5/30/2019

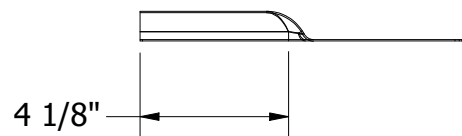
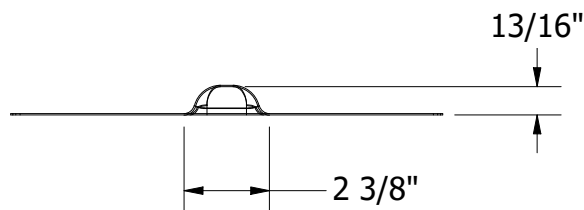
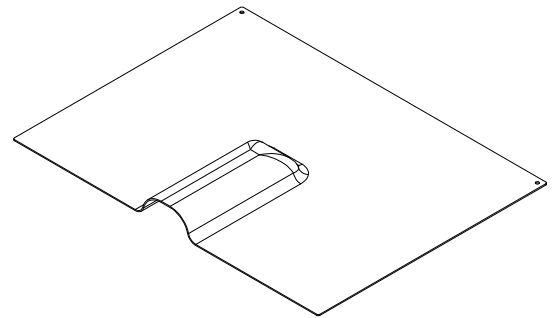
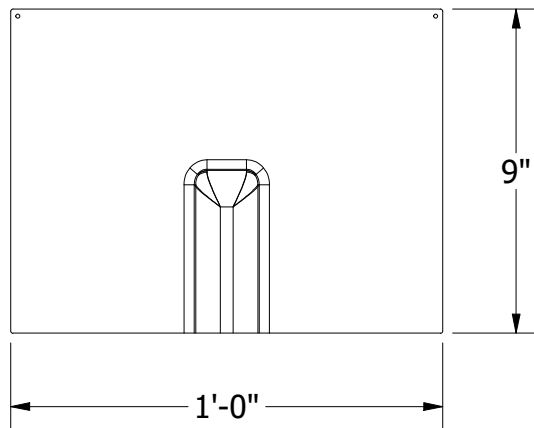
DRAWING NOT TO SCALE
 ALL DIMENSIONS ARE
 NOMINAL

PRODUCT PROTECTED BY
 ONE OR MORE US PATENTS
 LEGAL NOTICE

SH-P08
 SHEET

NOTES:

1. INSTALLATION TO BE COMPLETED IN ACCORDANCE WITH SOLARHOOKS INSTALLATION GUIDE.
2. PACKAGING: KITS OF 30



PART # TABLE	
P/N	DESCRIPTION
004FLAT	SOLARHOOK AT - ST FLASHING

UNIRAC[®]
 1411 BROADWAY BLVD. NE
 ALBUQUERQUE, NM 87102 USA
 PHONE: 505.242.6411
 WWW.UNIRAC.COM

PRODUCT LINE:	SOLARHOOKS
DRAWING TYPE:	PART DETAIL
DESCRIPTION:	AT - ST FLASHING
REVISION DATE:	5/30/2019

DRAWING NOT TO SCALE
 ALL DIMENSIONS ARE
 NOMINAL

PRODUCT PROTECTED BY
 ONE OR MORE US PATENTS

LEGAL NOTICE

SH-P09
 SHEET