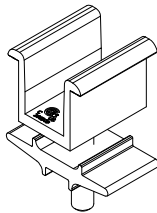
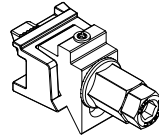


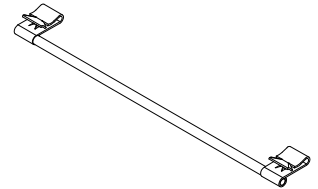
MLPE MOUNTING ASSEMBLY
SEE PAGE SFM-A11



N/S BONDING CLAMP
SEE PAGE SFM-A12



TRIM BONDING CLAMP
SEE PAGE SFM-A12



WIRE BONDING CLIP
SEE PAGE SFM-A12



1411 BROADWAY BLVD. NE
ALBUQUERQUE, NM 87102 USA
PHONE: 505.242.6411
WWW.UNIRAC.COM

PRODUCT LINE:	SFM INFINITY
DRAWING TYPE:	ASSEMBLY
DESCRIPTION:	LAYOUT EXAMPLE
REVISION DATE:	4/22/2019

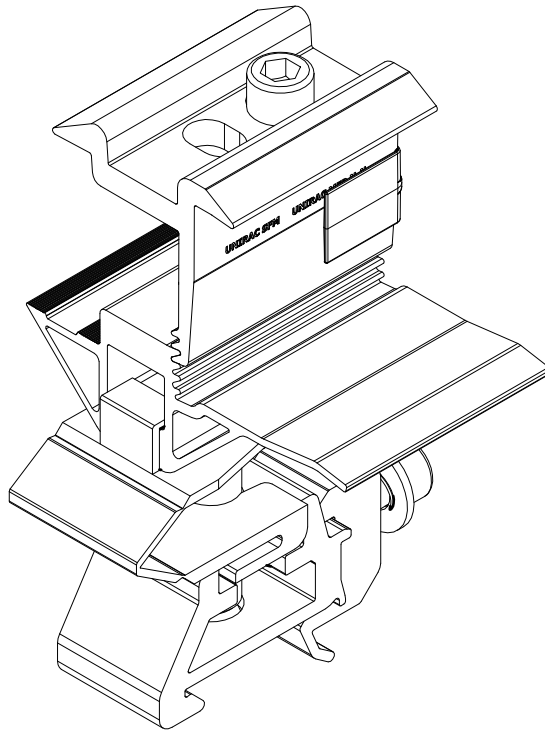
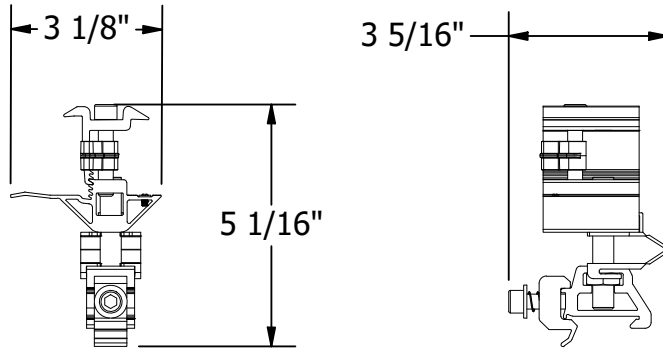
DRAWING NOT TO SCALE
ALL DIMENSIONS ARE
NOMINAL

PRODUCT PROTECTED BY
ONE OR MORE US PATENTS
LEGAL NOTICE

SFM-A01

SHEET

PART # TABLE	
P/N	DESCRIPTION
250020U	SFM MICRORAIL 2"



SFM MICRORAIL 2"



1411 BROADWAY BLVD. NE
 ALBUQUERQUE, NM 87102 USA
 PHONE: 505.242.6411
 WWW.UNIRAC.COM

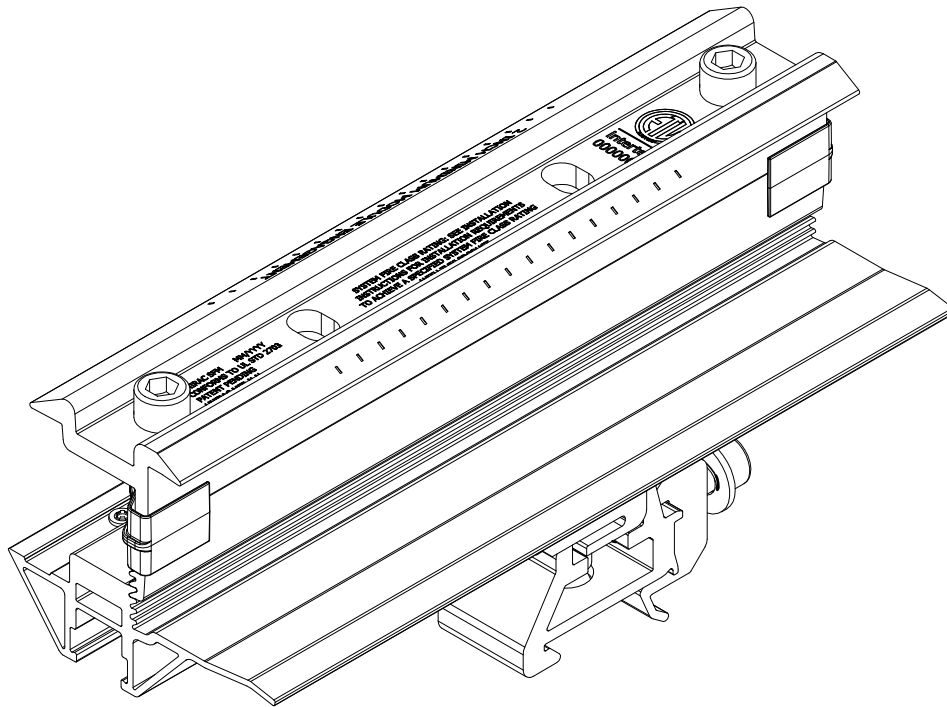
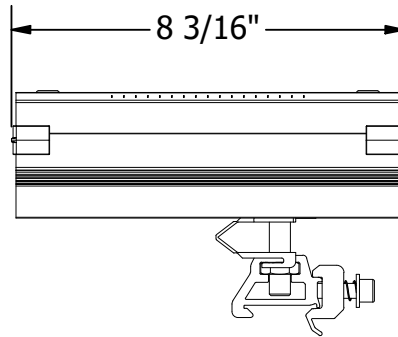
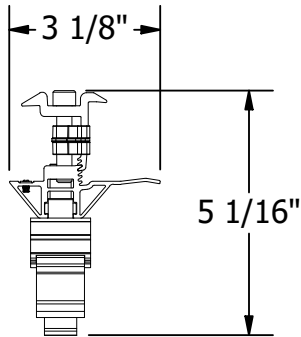
PRODUCT LINE:	SFM INFINITY
DRAWING TYPE:	PARTS ASSEMBLY
DESCRIPTION:	MICRORAIL 2"
REVISION DATE:	4/22/2019

DRAWING NOT TO SCALE
 ALL DIMENSIONS ARE
 NOMINAL

PRODUCT PROTECTED BY
 ONE OR MORE US PATENTS
 LEGAL NOTICE

SFM-A02
 SHEET

PART # TABLE	
P/N	DESCRIPTION
250030U	SFM ATTACHED SPLICE 8"



SFM ATTACHED SPLICE 8"



1411 BROADWAY BLVD. NE
ALBUQUERQUE, NM 87102 USA
PHONE: 505.242.6411
WWW.UNIRAC.COM

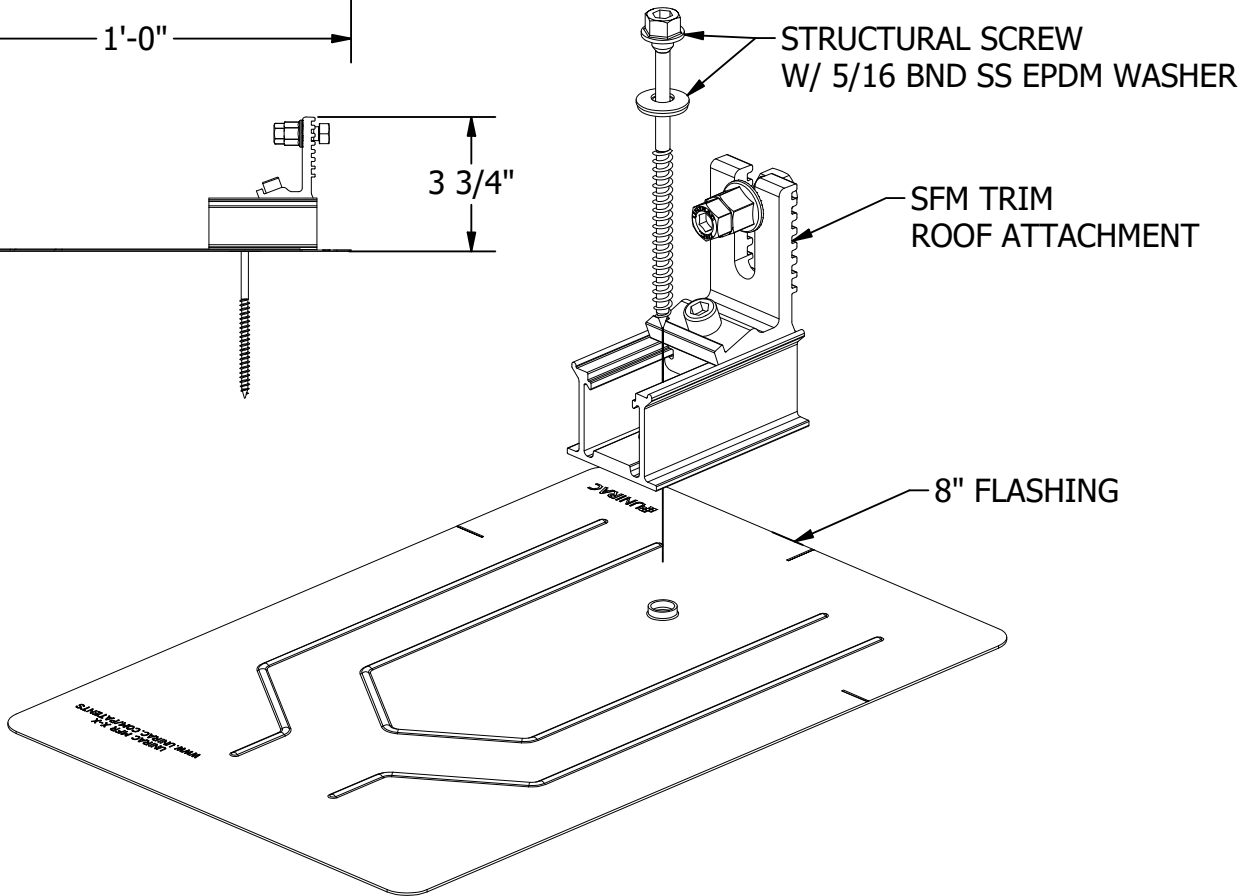
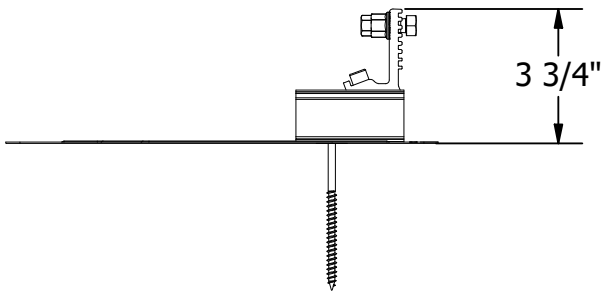
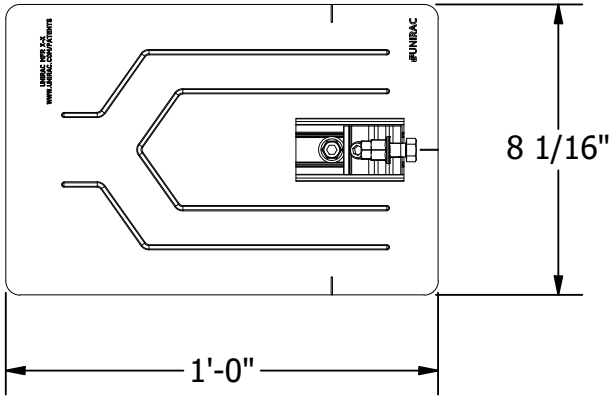
PRODUCT LINE:	SFM INFINITY
DRAWING TYPE:	PARTS ASSEMBLY
DESCRIPTION:	ATT SPLICE 8"
REVISION DATE:	4/22/2019

DRAWING NOT TO SCALE
ALL DIMENSIONS ARE
NOMINAL

PRODUCT PROTECTED BY
ONE OR MORE US PATENTS
LEGAL NOTICE

SFM-A03
SHEET

PART # TABLE	
P/N	DESCRIPTION
004200D	FLASHKIT SFM TRIM COMP DARK



FLASHKIT SFM TRIM



1411 BROADWAY BLVD. NE
ALBUQUERQUE, NM 87102 USA
PHONE: 505.242.6411
WWW.UNIRAC.COM

PRODUCT LINE:	SFM INFINITY
DRAWING TYPE:	PARTS ASSEMBLY
DESCRIPTION:	FLASHKIT TRIM
REVISION DATE:	4/22/2019

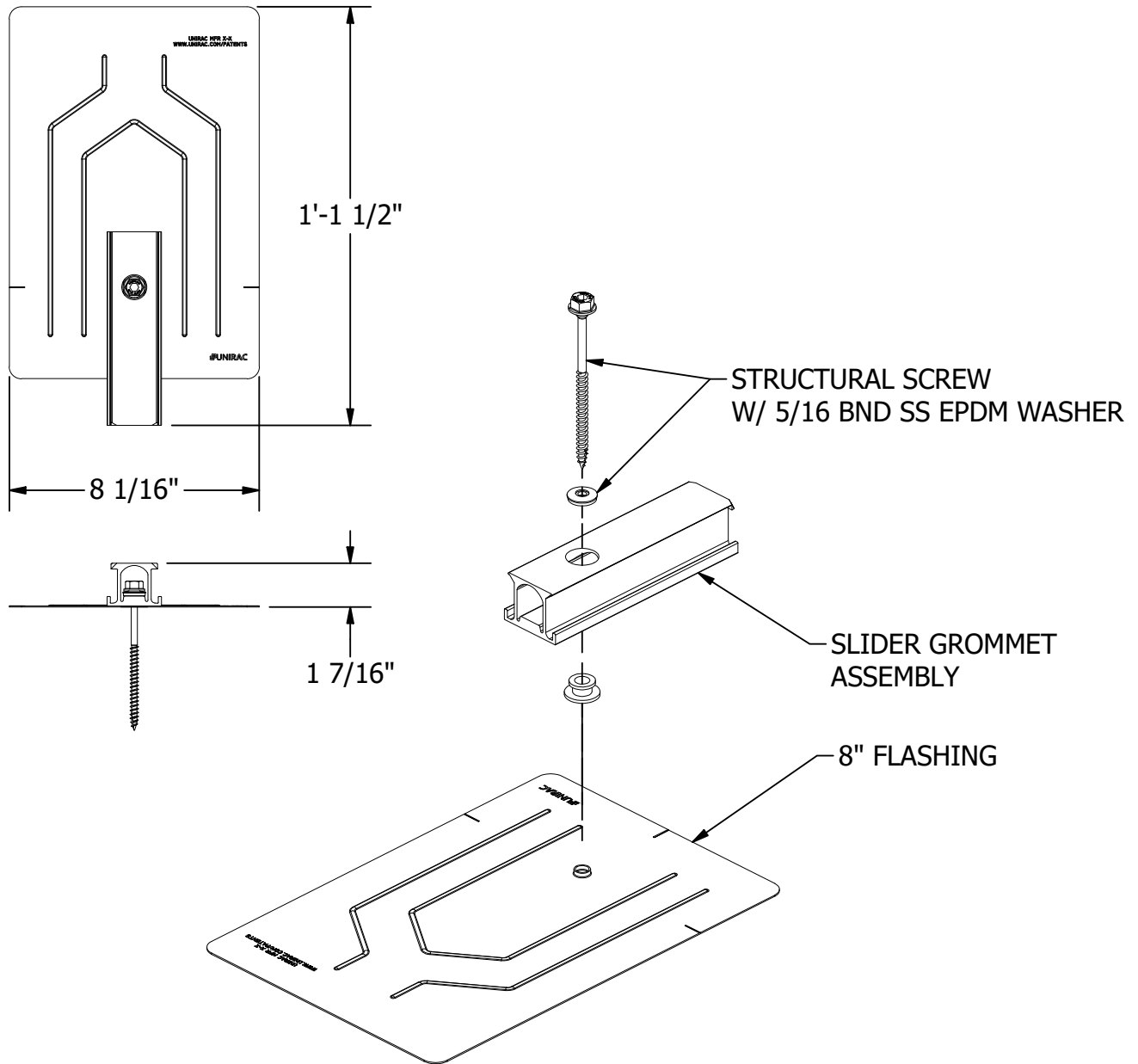
DRAWING NOT TO SCALE
ALL DIMENSIONS ARE
NOMINAL

PRODUCT PROTECTED BY
ONE OR MORE US PATENTS
LEGAL NOTICE

SFM-A04

SHEET

PART # TABLE	
P/N	DESCRIPTION
004270D	FLASHKIT SFM SLIDER COMP DARK



FLASHKIT SFM SLIDER



1411 BROADWAY BLVD. NE
ALBUQUERQUE, NM 87102 USA
PHONE: 505.242.6411
WWW.UNIRAC.COM

PRODUCT LINE:	SFM INFINITY
DRAWING TYPE:	PARTS ASSEMBLY
DESCRIPTION:	FLASHKIT SLIDER
REVISION DATE:	4/22/2019

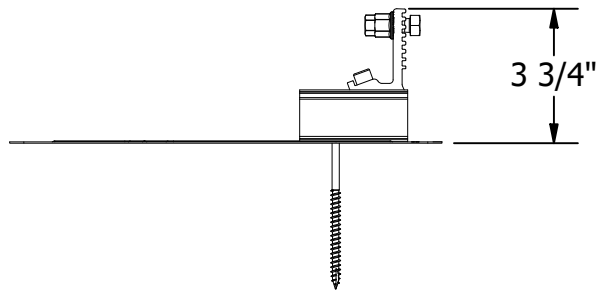
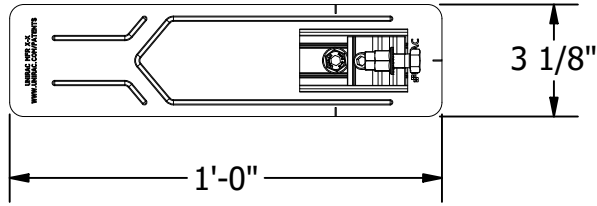
DRAWING NOT TO SCALE
ALL DIMENSIONS ARE
NOMINAL

PRODUCT PROTECTED BY
ONE OR MORE US PATENTS
LEGAL NOTICE

SFM-A05

SHEET

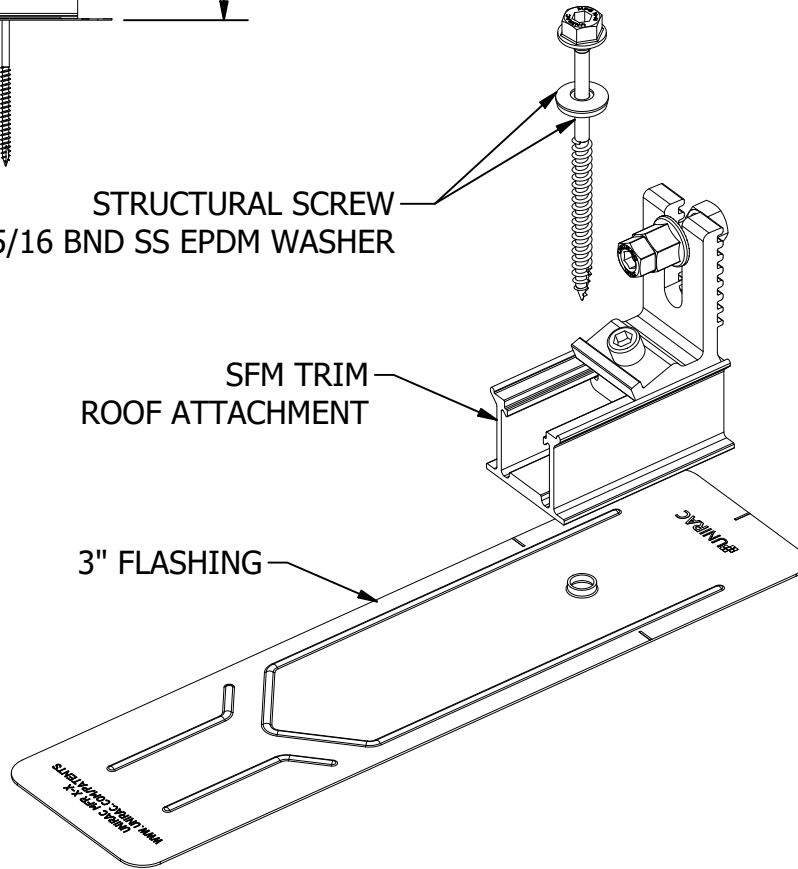
PART # TABLE	
P/N	DESCRIPTION
004201D	FLASHKIT SFM TRIM S COMP DARK



STRUCTURAL SCREW
W/ 5/16 BND SS EPDM WASHER

SFM TRIM
ROOF ATTACHMENT

3" FLASHING



FLASHKIT SFM TRIM S



1411 BROADWAY BLVD. NE
ALBUQUERQUE, NM 87102 USA
PHONE: 505.242.6411
WWW.UNIRAC.COM

PRODUCT LINE:	SFM INFINITY
DRAWING TYPE:	PARTS ASSEMBLY
DESCRIPTION:	FLASHKIT TRIM S
REVISION DATE:	4/22/2019

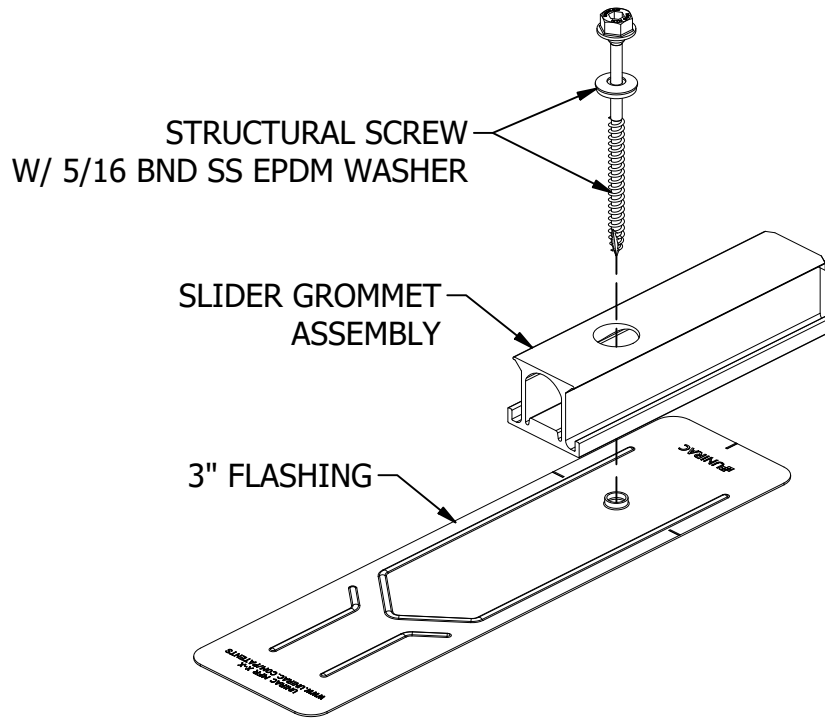
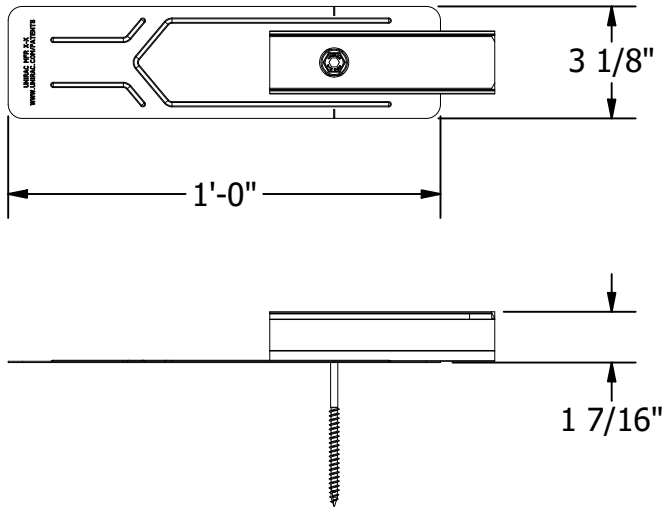
DRAWING NOT TO SCALE
ALL DIMENSIONS ARE
NOMINAL

PRODUCT PROTECTED BY
ONE OR MORE US PATENTS
LEGAL NOTICE

SFM-A07

SHEET

PART # TABLE	
P/N	DESCRIPTION
004271D	FLASHKIT SFM TRIM S SLIDER DARK



FLASHKIT SFM TRIM S SLIDER



1411 BROADWAY BLVD. NE
 ALBUQUERQUE, NM 87102 USA
 PHONE: 505.242.6411
 WWW.UNIRAC.COM

PRODUCT LINE:	SFM INFINITY
DRAWING TYPE:	PARTS ASSEMBLY
DESCRIPTION:	FLASHKIT SLIDER S
REVISION DATE:	4/22/2019

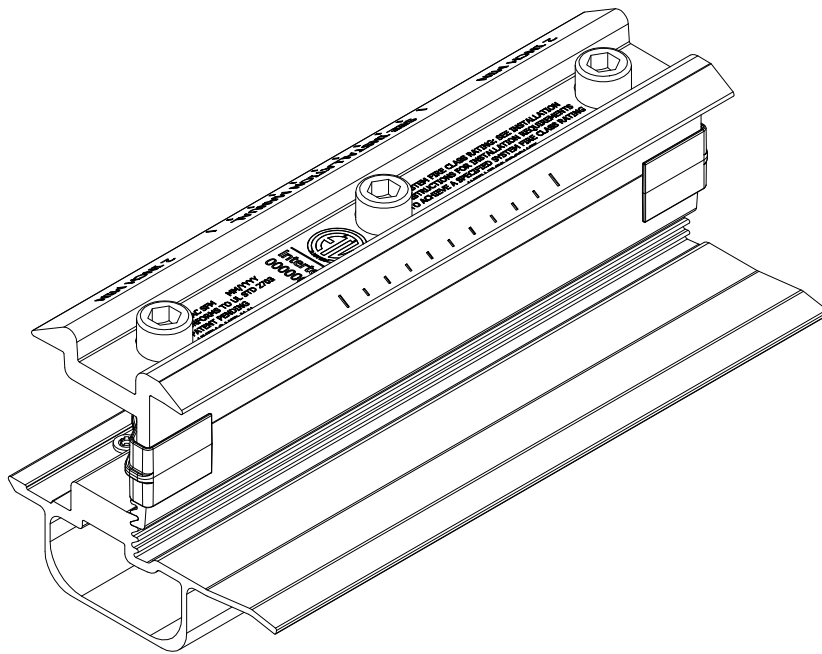
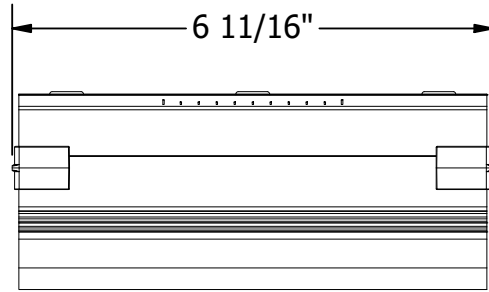
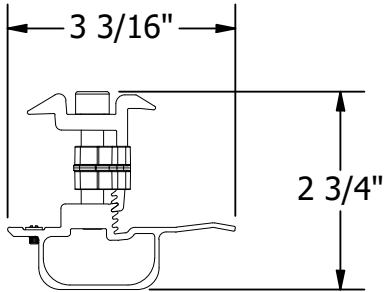
DRAWING NOT TO SCALE
 ALL DIMENSIONS ARE
 NOMINAL

PRODUCT PROTECTED BY
 ONE OR MORE US PATENTS

LEGAL NOTICE

SFM-A08
 SHEET

PART # TABLE	
P/N	DESCRIPTION
250010U	SFM SPLICE 6.5"



SFM SPLICE 6.5"



1411 BROADWAY BLVD. NE
 ALBUQUERQUE, NM 87102 USA
 PHONE: 505.242.6411
 WWW.UNIRAC.COM

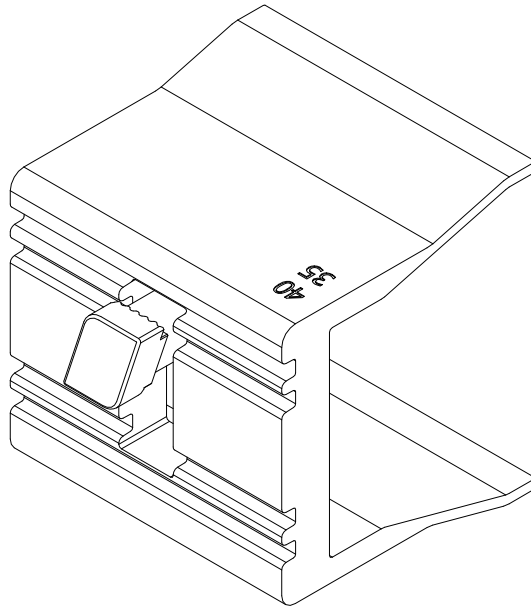
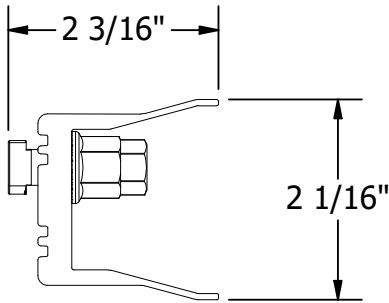
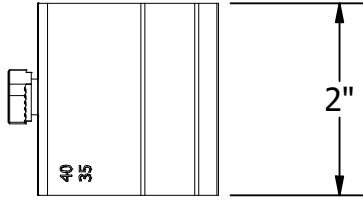
PRODUCT LINE:	SFM INFINITY
DRAWING TYPE:	PARTS ASSEMBLY
DESCRIPTION:	SPLICE 6.5"
REVISION DATE:	4/22/2019

DRAWING NOT TO SCALE
 ALL DIMENSIONS ARE
 NOMINAL

PRODUCT PROTECTED BY
 ONE OR MORE US PATENTS
 LEGAL NOTICE

SFM-A06
 SHEET

PART # TABLE	
P/N	DESCRIPTION
250110U	SFM UNIV TRIMRAIL CLIP DARK



UNIV TRIMRAIL CLIP



1411 BROADWAY BLVD. NE
 ALBUQUERQUE, NM 87102 USA
 PHONE: 505.242.6411
 WWW.UNIRAC.COM

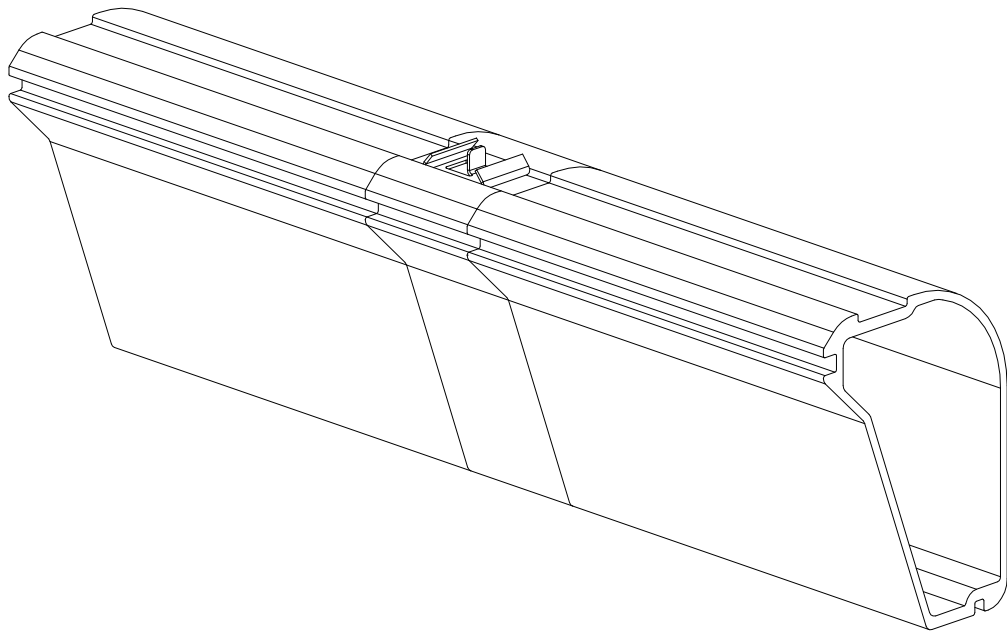
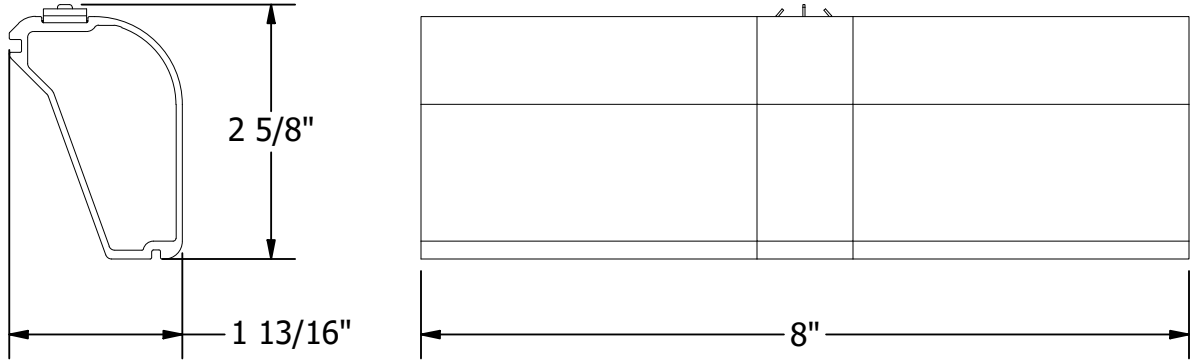
PRODUCT LINE:	SFM INFINITY
DRAWING TYPE:	PARTS ASSEMBLY
DESCRIPTION:	UNIV TRIMRAIL CLIP
REVISION DATE:	4/22/2019

DRAWING NOT TO SCALE
 ALL DIMENSIONS ARE
 NOMINAL

PRODUCT PROTECTED BY
 ONE OR MORE US PATENTS
 LEGAL NOTICE

SFM-A09
 SHEET

PART # TABLE	
P/N	DESCRIPTION
250120U	SFM TRIM SPLICE ASSEMBLY DARK



SFM TRIMRAIL SPLICE



1411 BROADWAY BLVD. NE
 ALBUQUERQUE, NM 87102 USA
 PHONE: 505.242.6411
 WWW.UNIRAC.COM

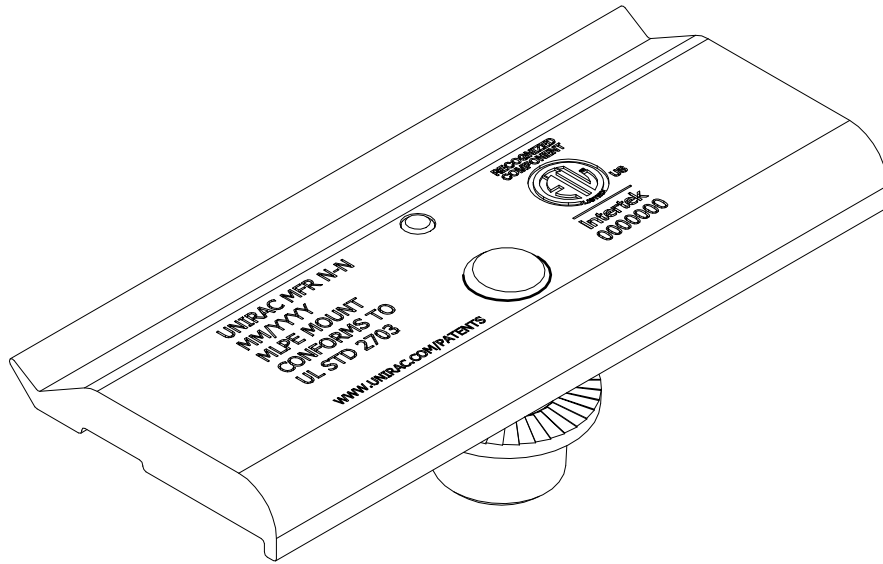
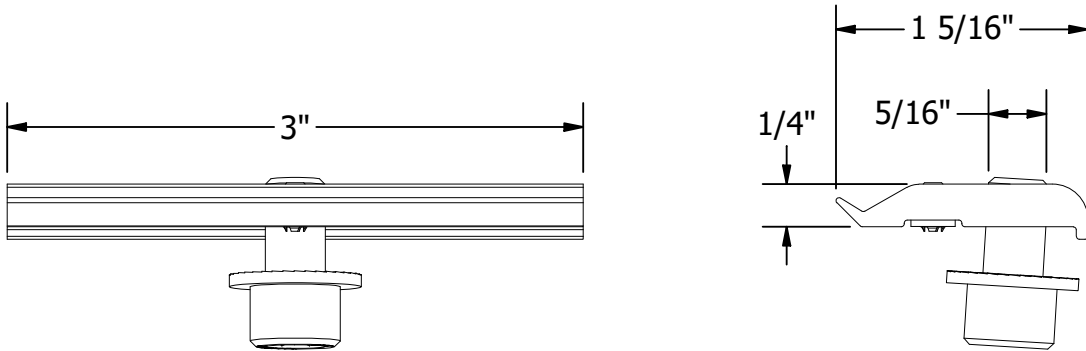
PRODUCT LINE:	SFM INFINITY
DRAWING TYPE:	PARTS ASSEMBLY
DESCRIPTION:	TRIMRAIL SPLICE
REVISION DATE:	4/22/2019

DRAWING NOT TO SCALE
 ALL DIMENSIONS ARE
 NOMINAL

PRODUCT PROTECTED BY
 ONE OR MORE US PATENTS
 LEGAL NOTICE

SFM-A10
 SHEET

PART # TABLE	
P/N	DESCRIPTION
008114M	SFM MLPE MOUNT 3"



MLPE MOUNT 3"



1411 BROADWAY BLVD. NE
ALBUQUERQUE, NM 87102 USA
PHONE: 505.242.6411
WWW.UNIRAC.COM

PRODUCT LINE:	SFM INFINITY
DRAWING TYPE:	PARTS ASSEMBLY
DESCRIPTION:	MLPE MOUNT 3"
REVISION DATE:	4/22/2019

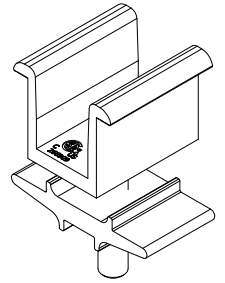
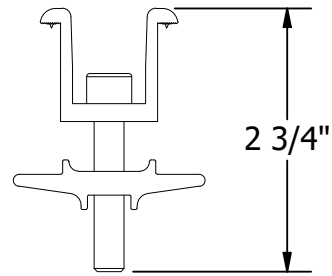
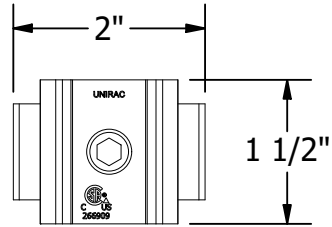
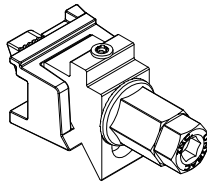
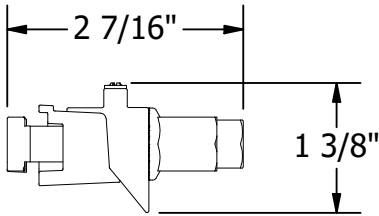
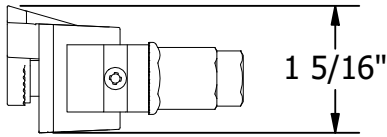
DRAWING NOT TO SCALE
ALL DIMENSIONS ARE
NOMINAL

PRODUCT PROTECTED BY
ONE OR MORE US PATENTS
LEGAL NOTICE

SFM-A11

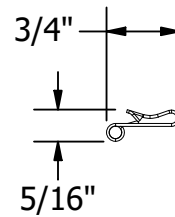
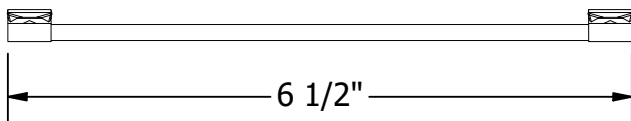
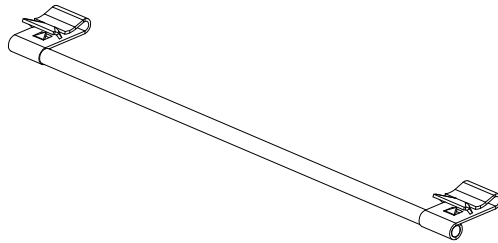
SHEET

PART # TABLE	
P/N	DESCRIPTION
008000U	SFM N/S BONDING CLAMP
008015S	SFM WIRE BONDING CLIP
008100U	SFM TRIM BONDING CLAMP



TRIM BONDING CLAMP

N/S BONDING CLAMP



WIRE BONDING CLIP



1411 BROADWAY BLVD. NE
ALBUQUERQUE, NM 87102 USA
PHONE: 505.242.6411
WWW.UNIRAC.COM

PRODUCT LINE:	SFM INFINITY
DRAWING TYPE:	PARTS ASSEMBLY
DESCRIPTION:	BONDING ASSEMBLIES
REVISION DATE:	4/22/2019

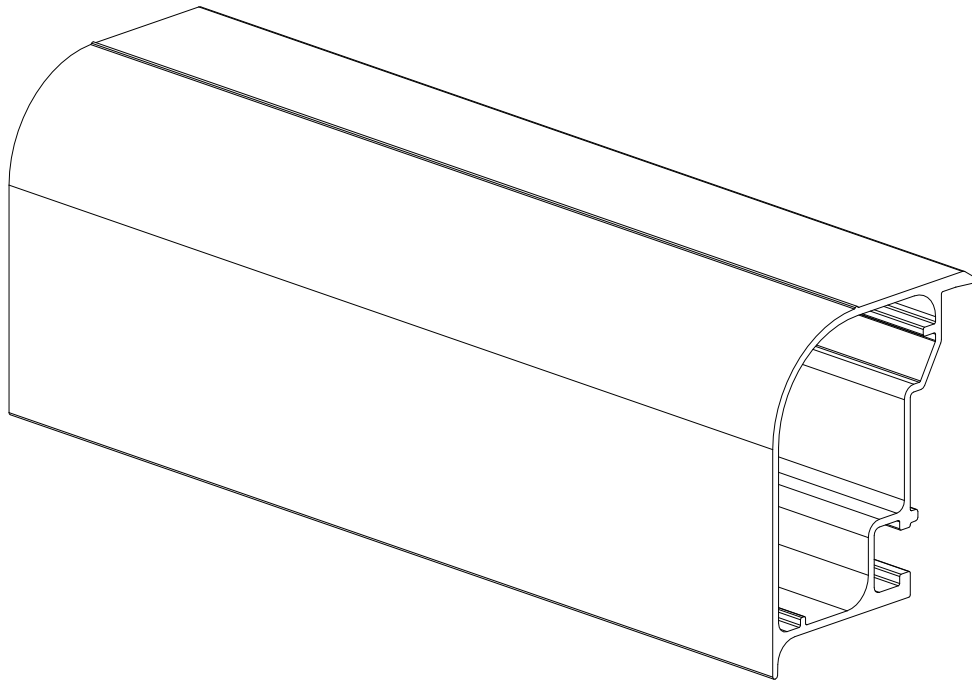
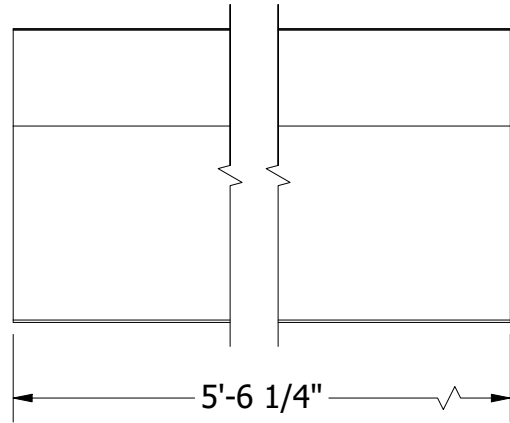
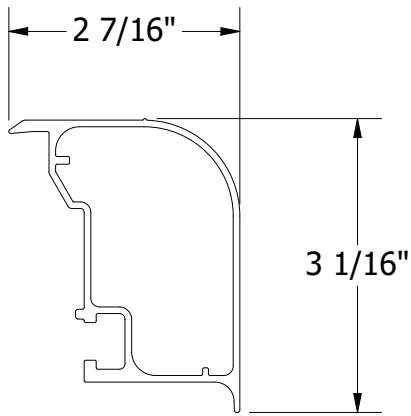
DRAWING NOT TO SCALE
ALL DIMENSIONS ARE
NOMINAL

PRODUCT PROTECTED BY
ONE OR MORE US PATENTS
LEGAL NOTICE

SFM-A12

SHEET

PART # TABLE	
P/N	DESCRIPTION
256625U	SFM TRIMRAIL UNIV DARK



SFM TRIMRAIL UNIV



1411 BROADWAY BLVD. NE
 ALBUQUERQUE, NM 87102 USA
 PHONE: 505.242.6411
 WWW.UNIRAC.COM

PRODUCT LINE:	SFM INFINITY
DRAWING TYPE:	PART
DESCRIPTION:	TRIMRAIL UNIV
REVISION DATE:	1/29/2020

DRAWING NOT TO SCALE
 ALL DIMENSIONS ARE
 NOMINAL

PRODUCT PROTECTED BY
 ONE OR MORE US PATENTS
 LEGAL NOTICE

SFM-P01
 SHEET