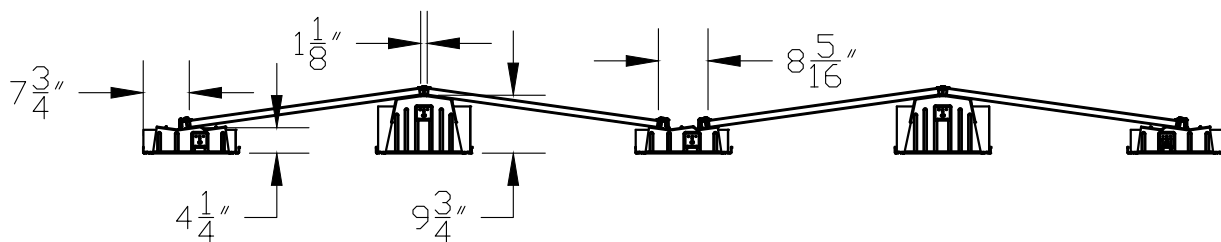
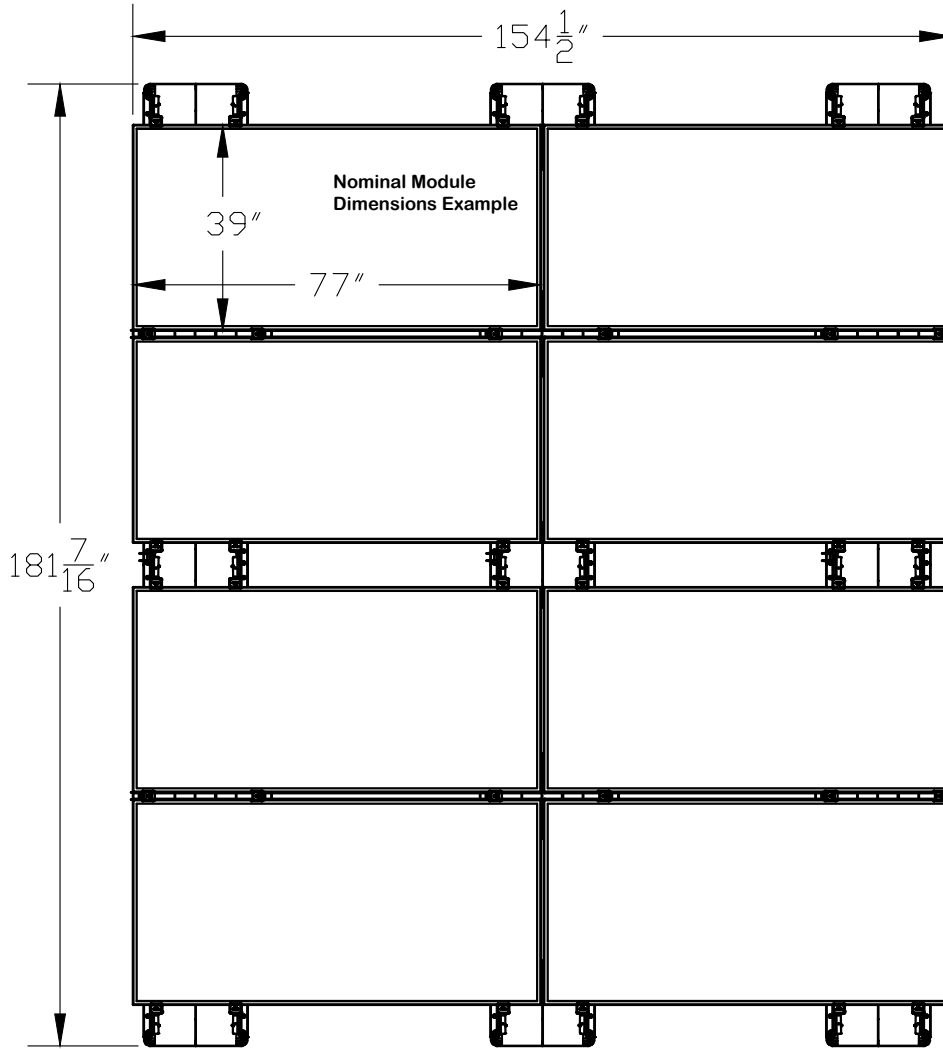
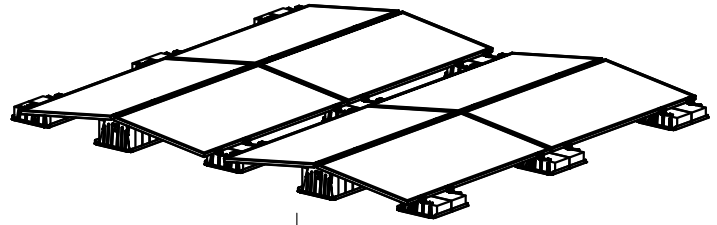


NOTE: ARRAY DIMENSIONS WILL VARY BASED ON
MODULE WIDTH & LENGTH.



UNIRAC

1411 BROADWAY BLVD NE
ALBUQUERQUE, NM 87102
USA

WWW.UNIRAC.COM

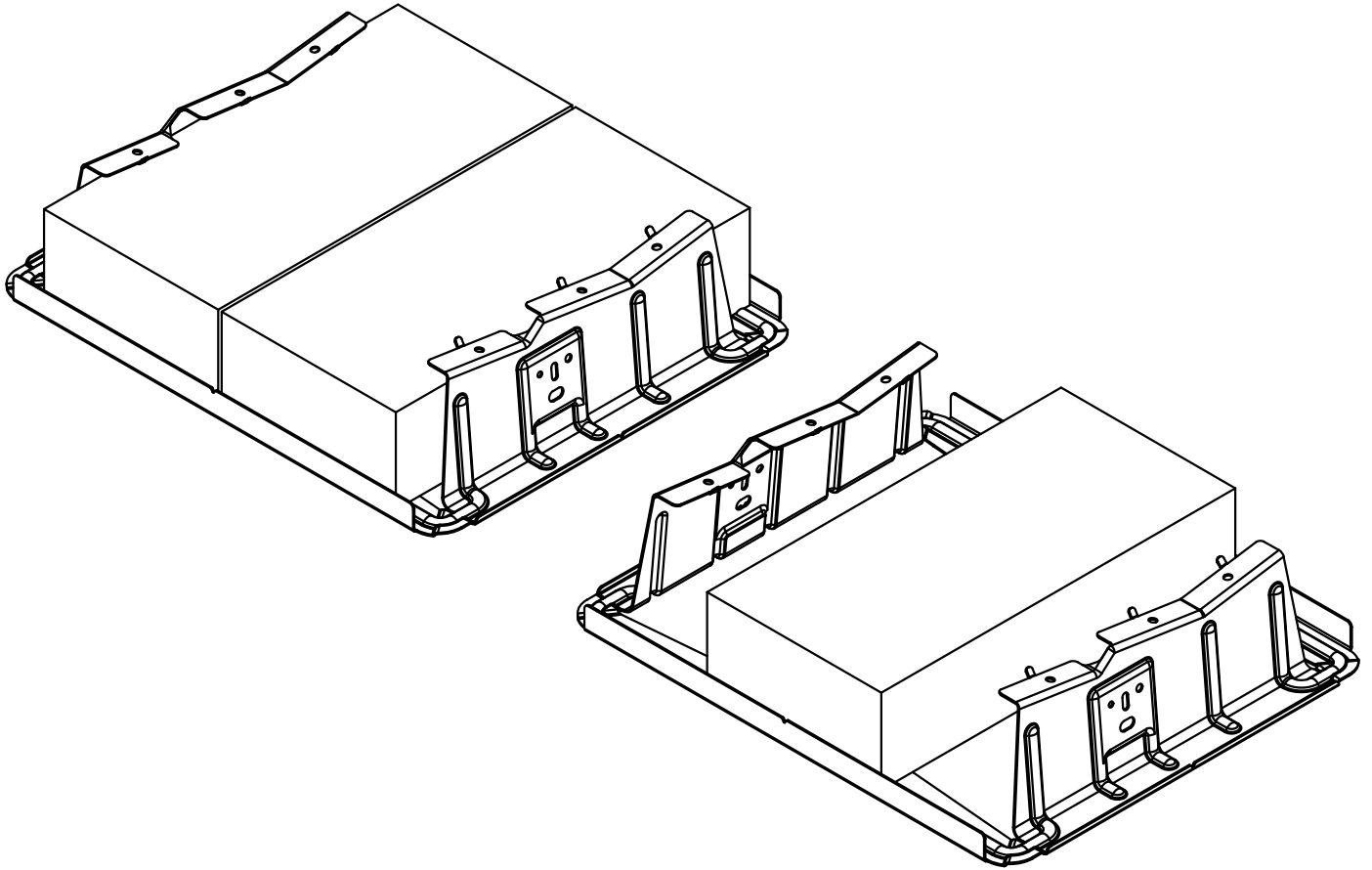
PRODUCT LINE:	RMDT
DRAWING TYPE:	ASSEMBLY
DESCRIPTION:	2x4 LAYOUT
REVISION DATE:	October_2016

DRAWING NOT TO SCALE
ALL DIMENSIONS ARE NOMINAL

PRODUCT PROTECTED BY ONE
OR MORE US PATENTS

LEGAL NOTICE

RMDT-A01
SHEET



UNIRAC[®]

1411 BROADWAY BLVD NE
ALBUQUERQUE, NM 87102
USA

WWW.UNIRAC.COM

PRODUCT LINE:	RMDT
DRAWING TYPE:	ASSEMBLY
DESCRIPTION:	BLOCKS ON RMDT VALLEY BAYS
REVISION DATE:	October_2016

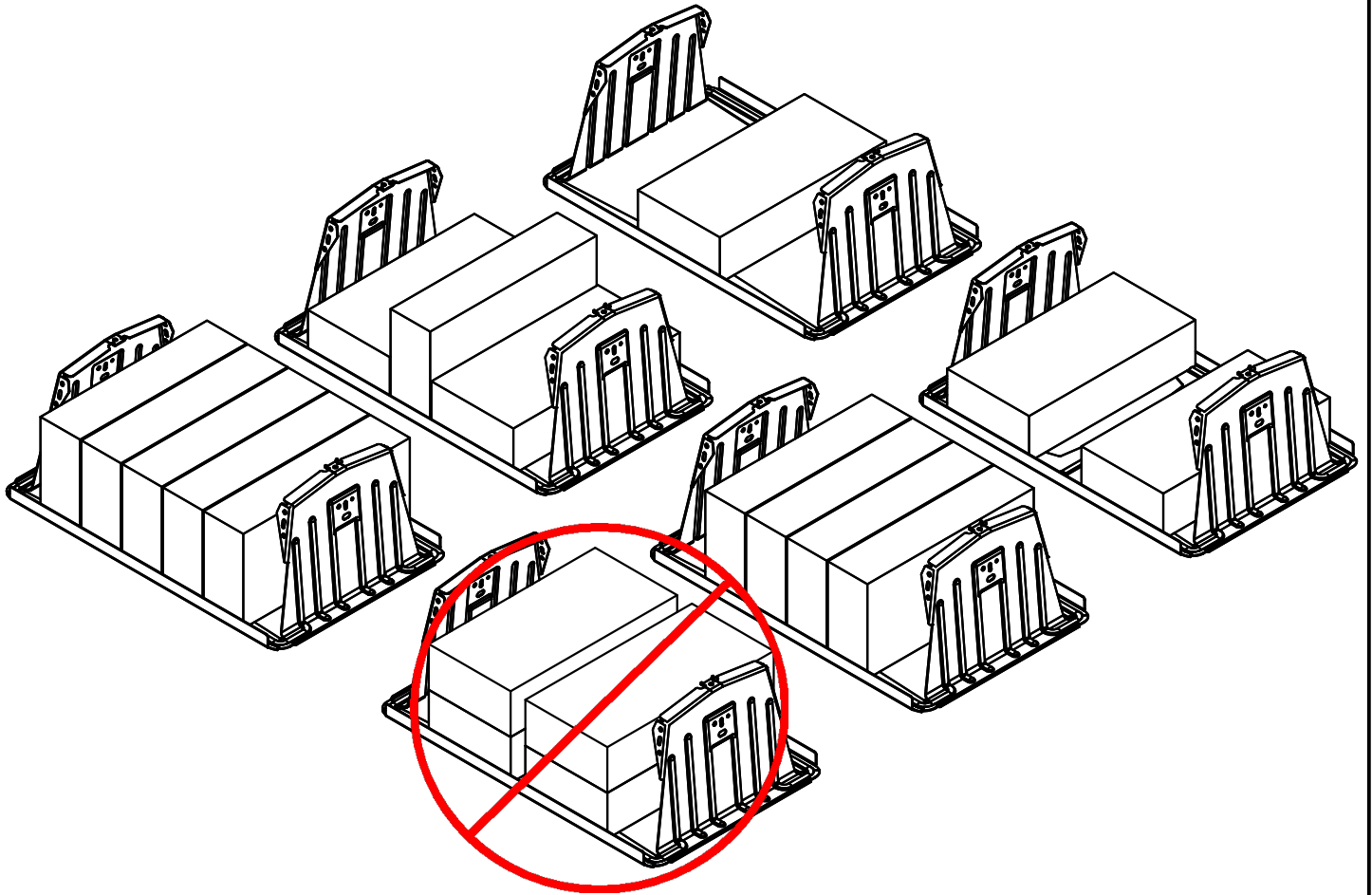
DRAWING NOT TO SCALE
ALL DIMENSIONS ARE NOMINAL

PRODUCT PROTECTED BY ONE
OR MORE US PATENTS

LEGAL NOTICE

RMDT-A02

SHEET



UNIRAC[®]

1411 BROADWAY BLVD NE
ALBUQUERQUE, NM 87102
USA

WWW.UNIRAC.COM

PRODUCT LINE:	RMDT
DRAWING TYPE:	ASSEMBLY
DESCRIPTION:	BLOCKS ON RMDT RIDGE BAYS
REVISION DATE:	October_2016

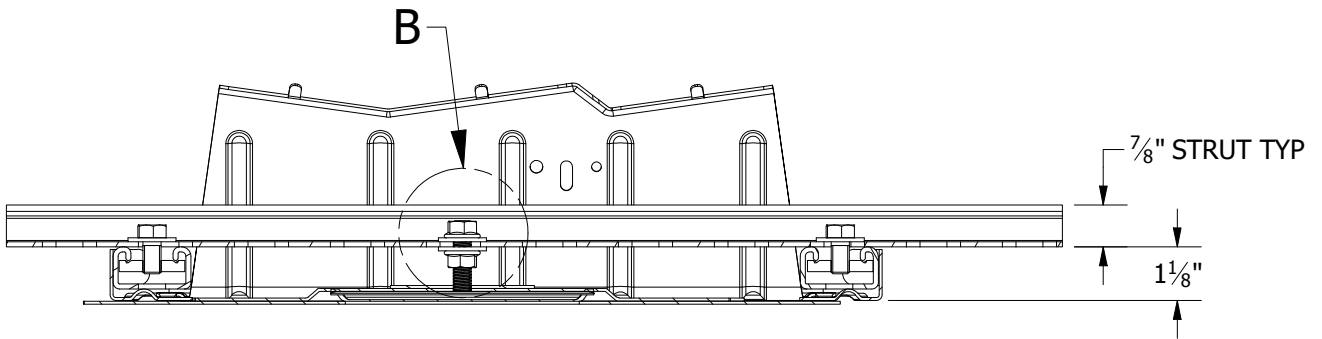
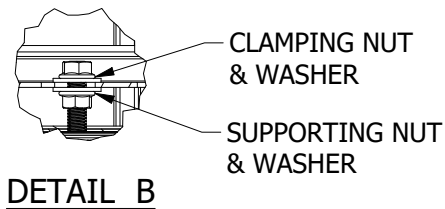
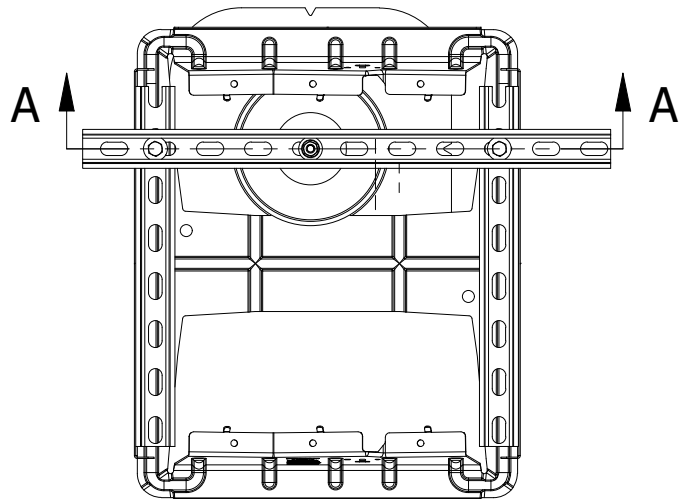
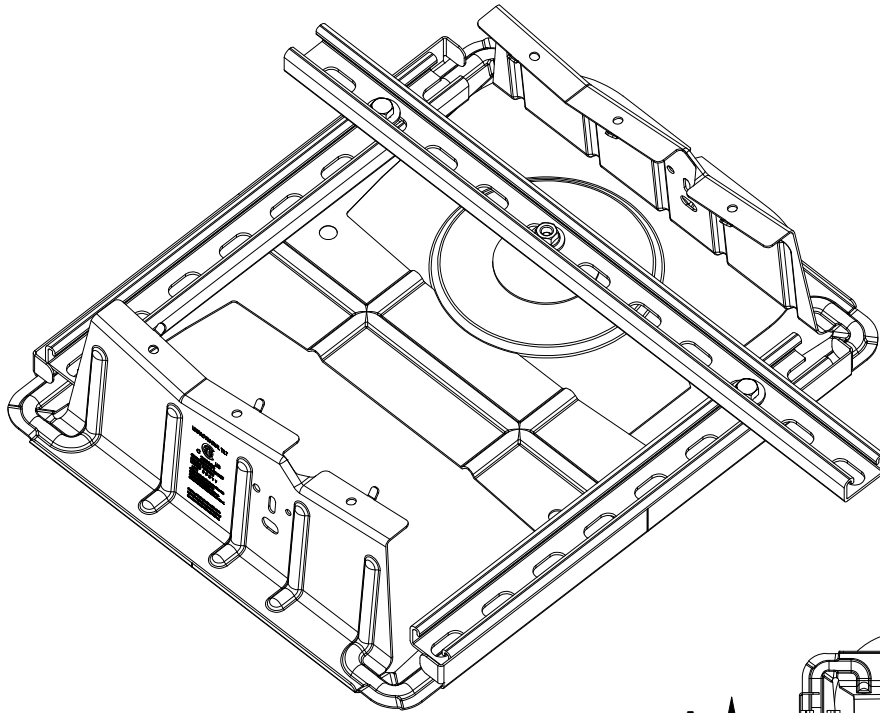
DRAWING NOT TO SCALE
ALL DIMENSIONS ARE NOMINAL

PRODUCT PROTECTED BY ONE
OR MORE US PATENTS

LEGAL NOTICE

RMDT-A03

SHEET



SECTION A-A



1411 BROADWAY BLVD. NE
 ALBUQUERQUE, NM 87102 USA
 PHONE: 505.242.6411
 WWW.UNIRAC.COM

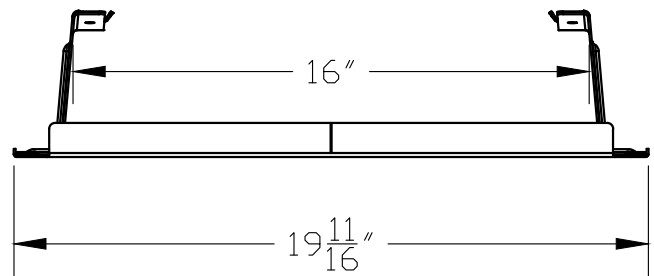
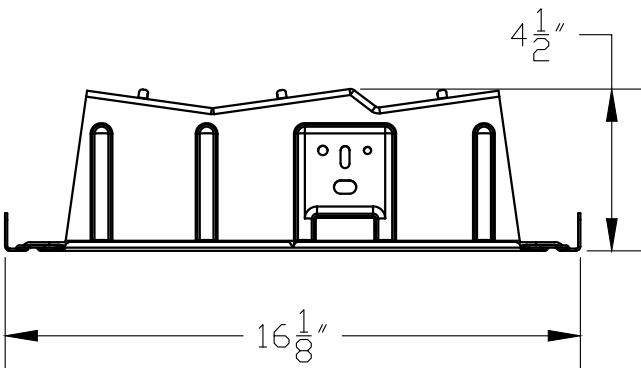
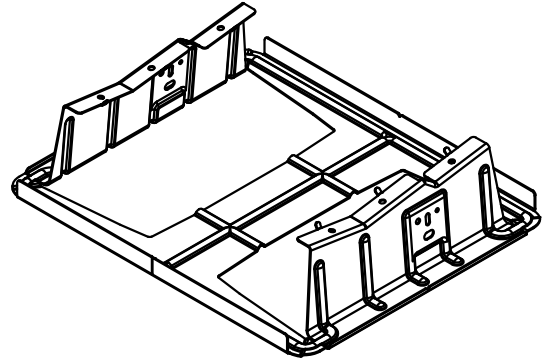
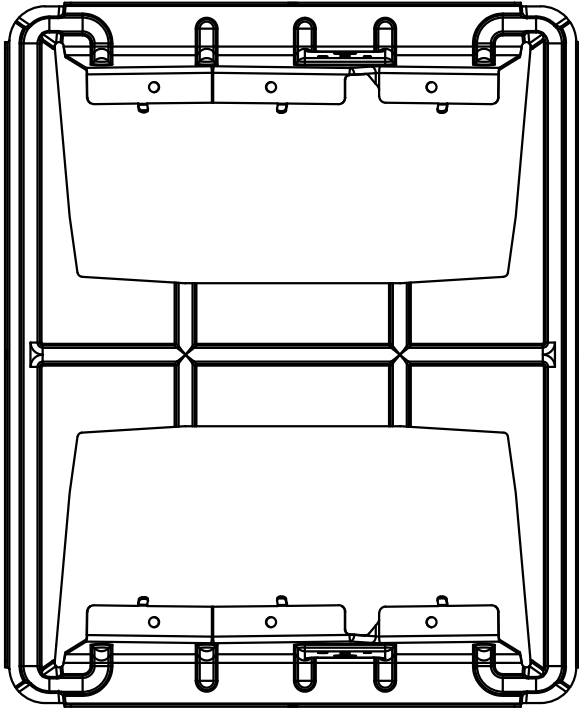
PRODUCT LINE:	RMDT ROOFMOUNT
DRAWING TYPE:	ASSEMBLY
DESCRIPTION:	VALLEY BAY WITH H-ATTACHMENT
REVISION DATE:	5/12/2020

DRAWING NOT TO SCALE
 ALL DIMENSIONS ARE
 NOMINAL

PRODUCT PROTECTED BY
 ONE OR MORE US PATENTS
 LEGAL NOTICE

RMDT-A04

SHEET



UNIRAC

1411 BROADWAY BLVD NE
ALBUQUERQUE, NM 87102
USA

WWW.UNIRAC.COM

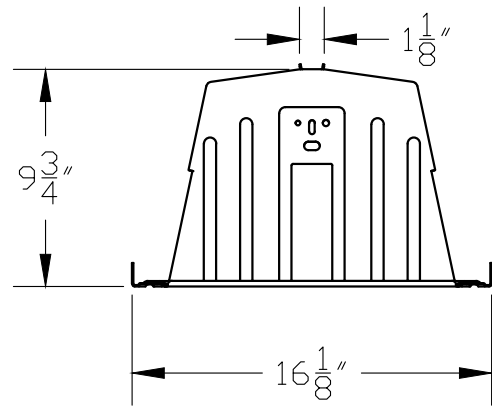
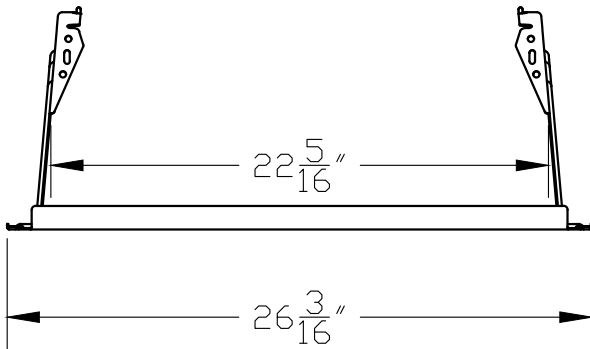
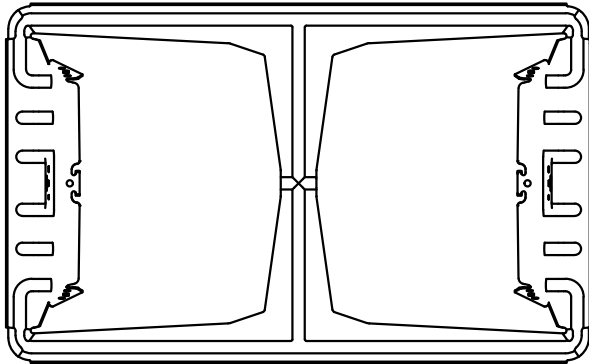
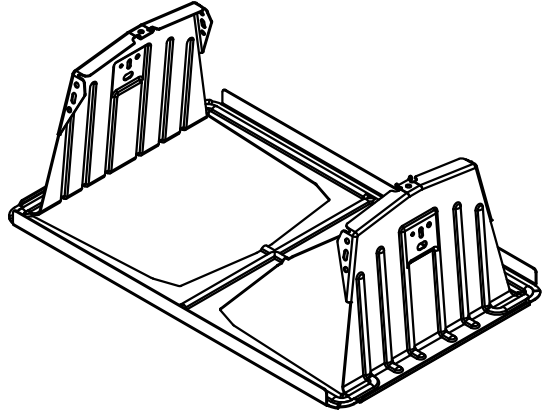
PRODUCT LINE:	RMDT
DRAWING TYPE:	PART
DESCRIPTION:	RMDT VALLEY BAY
REVISION DATE:	October_2016

DRAWING NOT TO SCALE
ALL DIMENSIONS ARE NOMINAL

PRODUCT PROTECTED BY ONE
OR MORE US PATENTS

LEGAL NOTICE

RMDT-PO1
SHEET



UNIRAC

1411 BROADWAY BLVD NE
ALBUQUERQUE, NM 87102
USA

WWW.UNIRAC.COM

PRODUCT LINE:	RMDT
DRAWING TYPE:	PART
DESCRIPTION:	RMDT RIDGE BAY
REVISION DATE:	October_2016

DRAWING NOT TO SCALE
ALL DIMENSIONS ARE NOMINAL

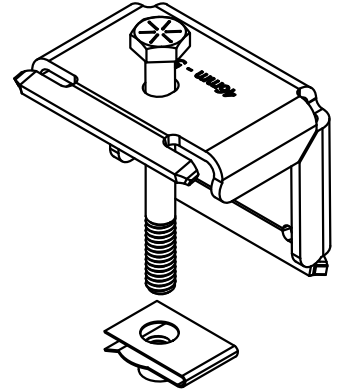
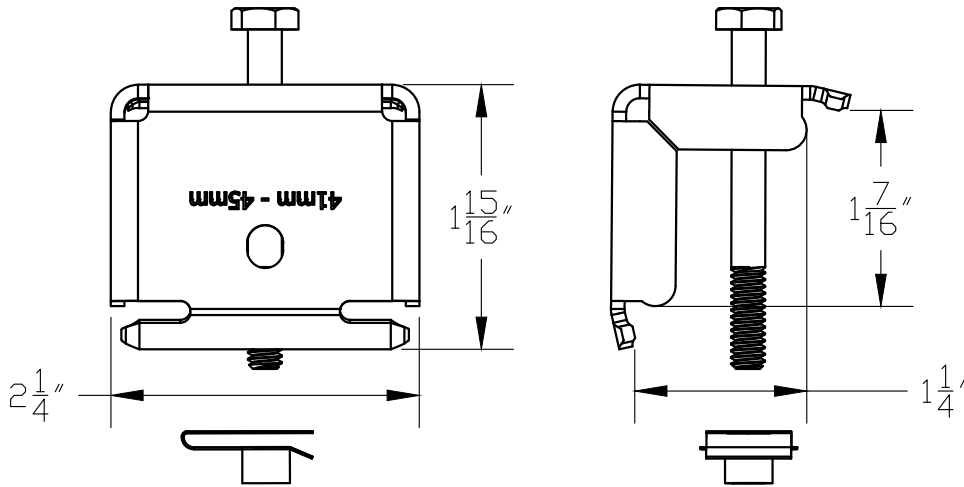
PRODUCT PROTECTED BY ONE
OR MORE US PATENTS

LEGAL NOTICE

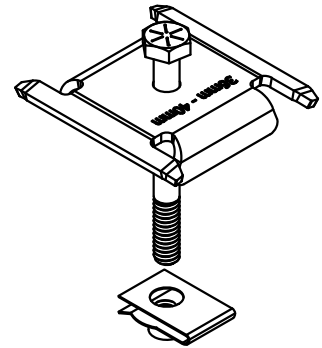
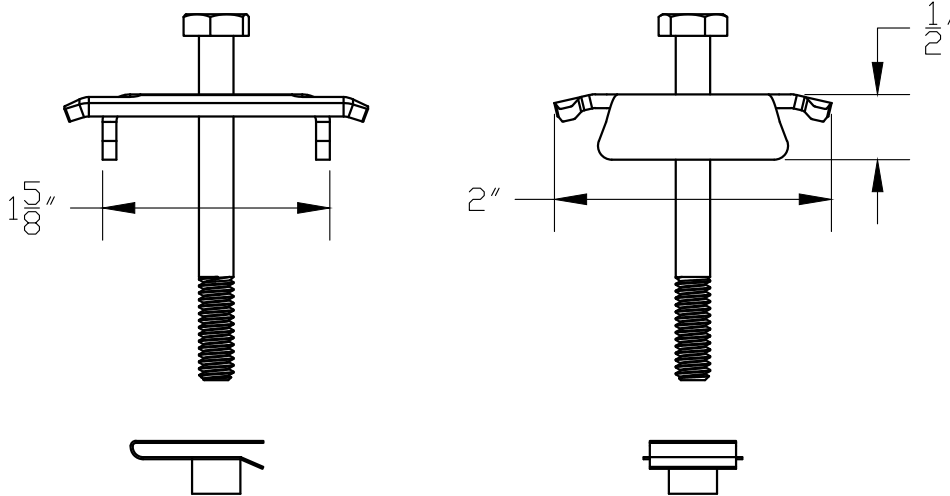
RMDT-P02

SHEET

END CLAMP



MID CLAMP



UNIRAC

1411 BROADWAY BLVD NE
ALBUQUERQUE, NM 87102
USA

WWW.UNIRAC.COM

PRODUCT LINE:	RMDT
DRAWING TYPE:	PART
DESCRIPTION:	RMDT CLAMPS
REVISION DATE:	October_2016

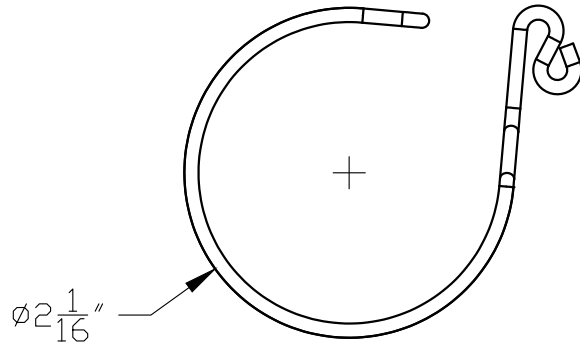
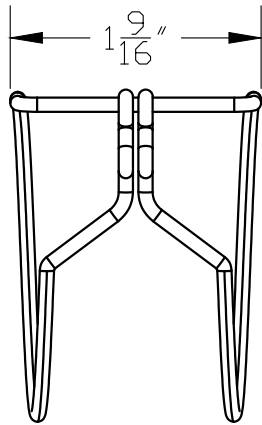
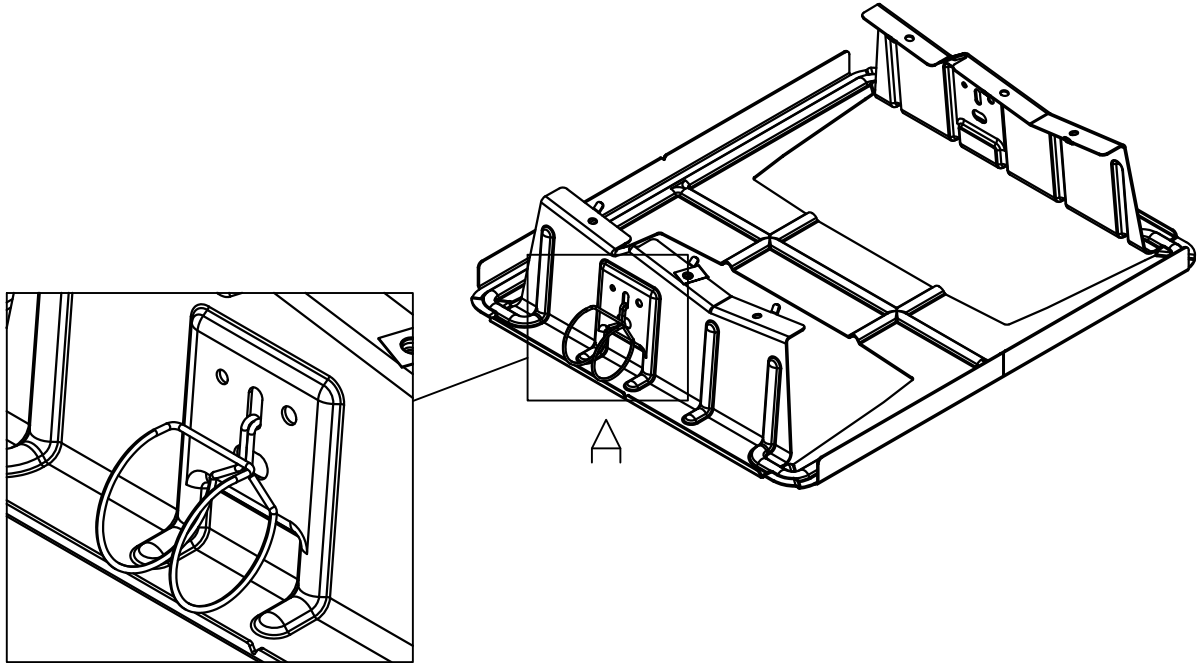
DRAWING NOT TO SCALE
ALL DIMENSIONS ARE NOMINAL

PRODUCT PROTECTED BY ONE
OR MORE US PATENTS

LEGAL NOTICE

RMDT-P03

SHEET



UNIRAC[®]

1411 BROADWAY BLVD NE
ALBUQUERQUE, NM 87102
USA

WWW.UNIRAC.COM

PRODUCT LINE:	RMDT
DRAWING TYPE:	PART
DESCRIPTION:	RMDT WIRE CLIP
REVISION DATE:	October_2016

DRAWING NOT TO SCALE
ALL DIMENSIONS ARE NOMINAL

PRODUCT PROTECTED BY ONE
OR MORE US PATENTS

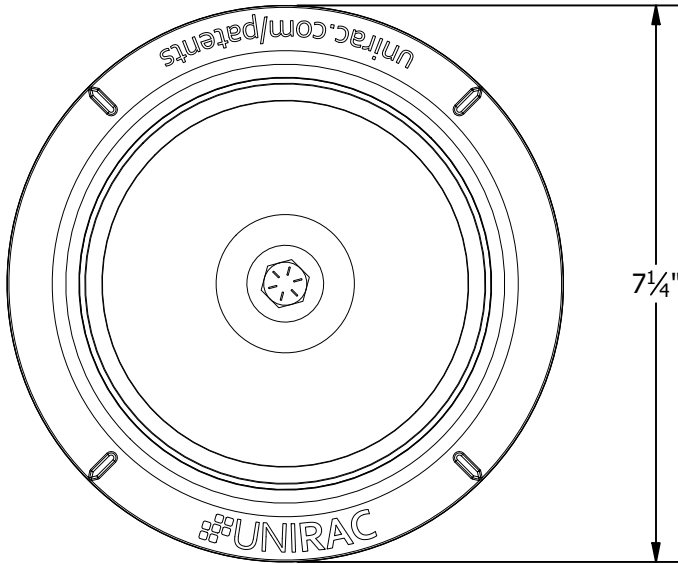
LEGAL NOTICE

RMDT-P04

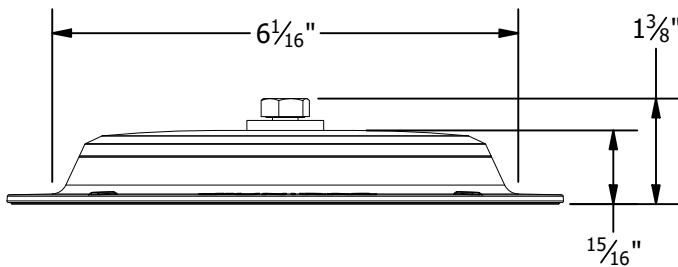
SHEET

NOTES:

1. ATTACHMENT CAN ACCOMMODATE ROOFING SCREW SIZES #12 - #15. FASTENER SIZE, LENGTH, AND QUANTITY TO BE SELECTED BY STRUCTURAL ENGINEER OF RECORD WHEN DESIGNING FOR THE SPECIFIC PROJECT CONSTRUCTION AND CAPACITY.
2. REFER TO THE UNIRAC INSTALLATION GUIDE FOR PROPER USE OF CHEM LINK M1 AND ONE-PART SEALANTS FOR WATER TIGHT INSTALLATION.

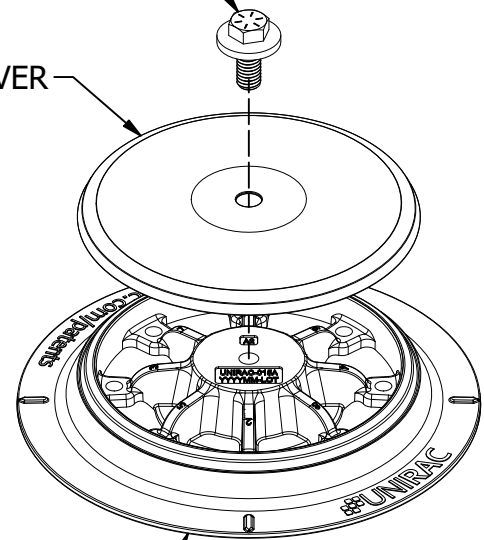


TOP VIEW



Ø 3/8" HARDWARE
(PRE-ASSEMBLED)

COVER



BASE

PART # TABLE	
P/N	DESCRIPTION
310999	FLASHLOC RM KIT

ULTIMATE TEST LOAD (WITH 8 ROOF FASTENERS)

UPLIFT ULTIMATE CAPACITY	6,670 lbs.
SHEAR ULTIMATE CAPACITY	5,760 lbs.



1411 BROADWAY BLVD. NE
ALBUQUERQUE, NM 87102 USA
PHONE: 505.242.6411
WWW.UNIRAC.COM

PRODUCT LINE:	RM
DRAWING TYPE:	ASSEMBLY DETAIL
DESCRIPTION:	FLASHLOC RM KIT
REVISION DATE:	6/26/2020

DRAWING NOT TO SCALE
ALL DIMENSIONS ARE
NOMINAL

PRODUCT PROTECTED BY
ONE OR MORE US PATENTS
LEGAL NOTICE

RMF-A01

SHEET