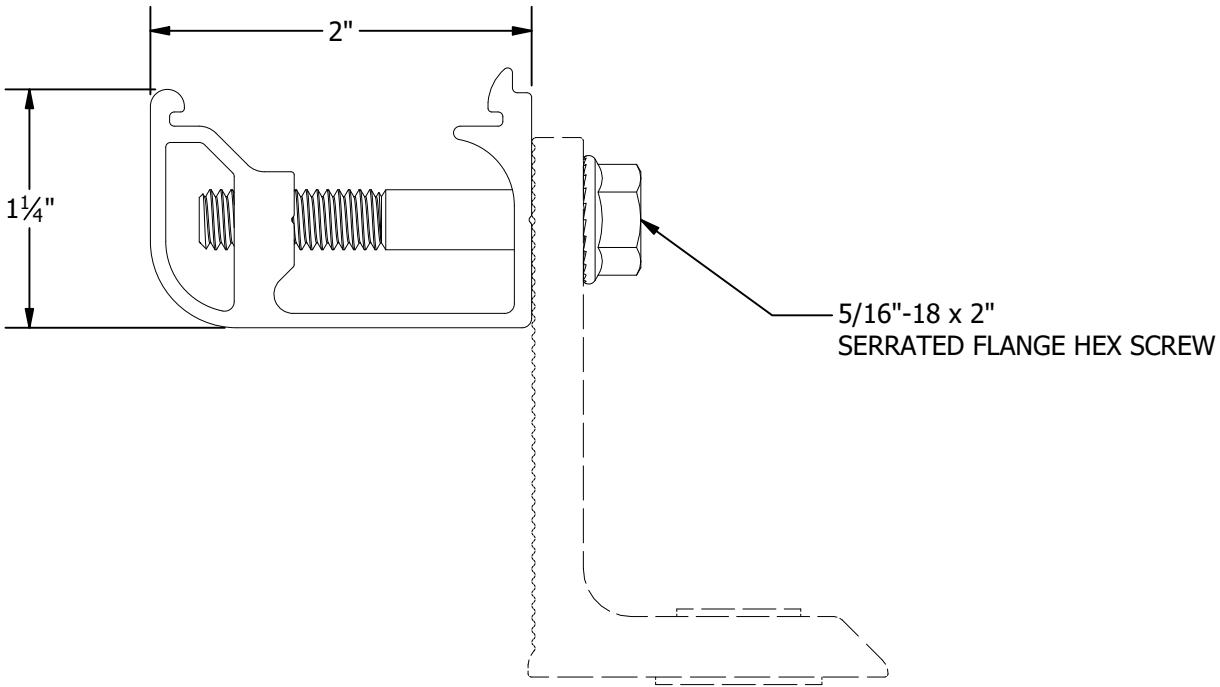
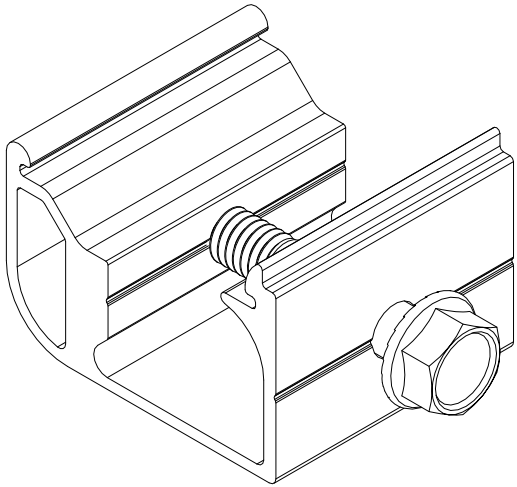
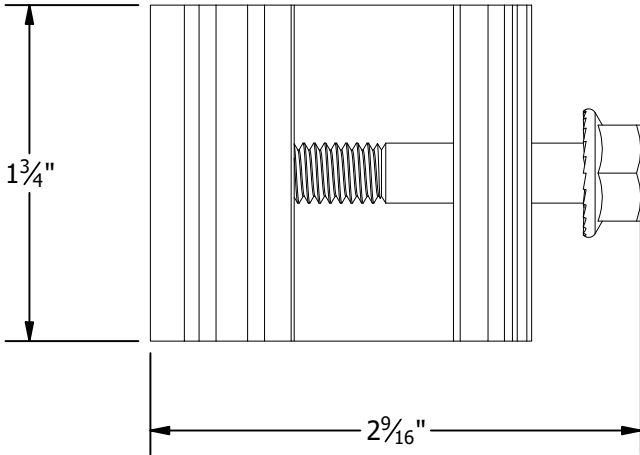


| PART # TABLE | |
|--------------|----------------------------|
| P/N | DESCRIPTION |
| SHCLMPM1 | STRONGHOLD RAIL CLAMP MILL |
| SHCLMPD1 | STRONGHOLD RAIL CLAMP DRK |



1411 BROADWAY BLVD. NE
 ALBUQUERQUE, NM 87102 USA
 PHONE: 505.242.6411
 WWW.UNIRAC.COM

| | |
|----------------|-----------------------|
| PRODUCT LINE: | NXT HORIZON |
| DRAWING TYPE: | PARTS ASSEMBLY |
| DESCRIPTION: | STRONGHOLD RAIL CLAMP |
| REVISION DATE: | 9/22/2021 |

DRAWING NOT TO SCALE
 ALL DIMENSIONS ARE
 NOMINAL

PRODUCT PROTECTED BY
 ONE OR MORE US PATENTS
 LEGAL NOTICE

NH-A05
 SHEET